

1. Cables looped in and out from overhead
2. In and out from underground
3. In and out straight through the switch
4. Two 25mm rear knockouts are moulded in the base for surface mounting with concealed wiring.

Each unit supplied with screwed conduit plugs and screwed reducers for easy connection to 25mm or 20mm conduits and screw caps Screw caps must be installed to ensure IP Rating. The impact Resistant base and cover will survive the hardest knocks in almost any installation conditions The two sections are sealed

with a weather seal gasket. For security, a 7mm diameter hole is provided for padlocking the lever in the OFF position. Deep mounted barriers protect the operating lever from physical abuse or accidental switching All units comply to IEC60947-3. Standard colours are Grey & White.



Giovenzana International B.V.

Strawinskyiaan 1105, 1077 XX Amsterdam, The Netherlands
Ph. +31(0)20.4413576 | giovenzana@giovenzana.com

giovenzana.com

GTF2

WATERPROOF ISOLATING SWITCH



GIOVENZANA INTERNATIONAL B.V.

Strawinskyiaan 1105, 1077 XX Amsterdam - The Netherlands
+31 (0) 20 4413576 | giovenzana@giovenzana.com | giovenzana.com

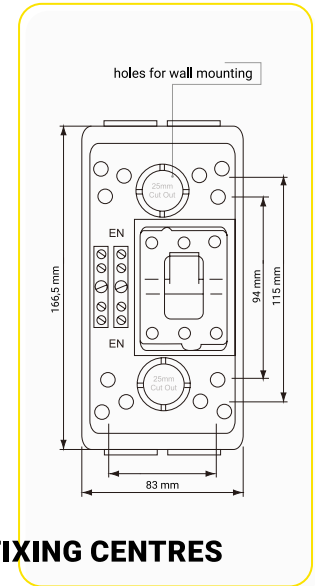
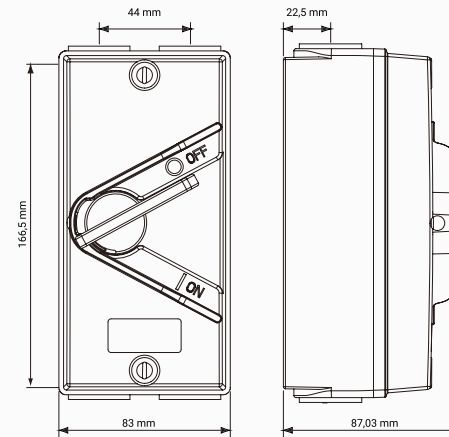


GTF2 WATERPROOF ISOLATING SWITCH

PRODUCT DESCRIPTION

The GTF Series of Weather protected isolating Switches can be widely used in any outdoor conditions. There are single, double and triple pole switches from 20 to 63 Amps. The base mounted mechanism provides for easier termination and more working room. Switch dimensions are 165mm x 82mm with an overall height of 80mm. Fixed Earth and Neutral connector bars with dual clamp screws per terminal provide equal stripping lengths and secure clamping for all cables. Terminal bore provide equal stripping lengths and secure clamping for all cables. Terminal bore size 5 - 6mm. A safety feature for mounting switches to metal structures is the insulating caps that cover base mounting screws to totally protect them from any live cables.

DIMENSIONS



FIXING CENTRES

Type	Ui (50Hz) Insulation voltage	Ue (50Hz) Working voltage	(KW) Power Frequency Voltage	Rated irregular load	Rated working system: uninterrupted	Number of poles	Single stand cable cross-section		Cable cross-section shares many		En60947-3-1	AC23 Use of categories	(A)1/Sec Short-term rated voltage	Breaking Capacity
							Min	Max	Min	Max				
GTF2-120	250	250	1.5	20	Yes	1P	2.5	16	2.5	10	250	20	240	0.5
GTF2-135	250	250	1.5	35	Yes	1P	2.5	16	2.5	10	250	35	384	0.5
GTF2-163	250	250	2.5	63	Yes	1P	2.5	25	2.5	16	415	63	756	1
GTF2-220	440	440	1.5	20	Yes	2P	2.5	16	2.5	10	415	20	240	0.5
GTF2-235	440	440	1.5	35	Yes	2P	2.5	16	2.5	10	415	35	384	0.5
GTF2-263	440	440	2.5	63	Yes	2P	2.5	25	2.5	16	415	63	756	1
GTF2-320	500	500	1.5	20	Yes	3P	2.5	16	2.5	10	415	20	240	0.5
GTF2-335	500	500	1.5	35	Yes	3P	2.5	16	2.5	10	415	35	384	0.5
GTF2-363	500	500	2.5	63	Yes	3P	2.5	25	2.5	16	415	63	756	1
GTF2-420	500	500	1.5	20	Yes	4P	2.5	16	2.5	10	415	20	240	0.5
GTF2-435	500	500	1.5	35	Yes	4P	2.5	16	2.5	10	415	35	384	0.5
GTF2-463	500	500	2.5	63	Yes	4P	2.5	25	2.5	16	415	63	756	1