



The product is installed in these energy transmission lines:

TR85H7P	continuous
TR85H7P	pre-mounted

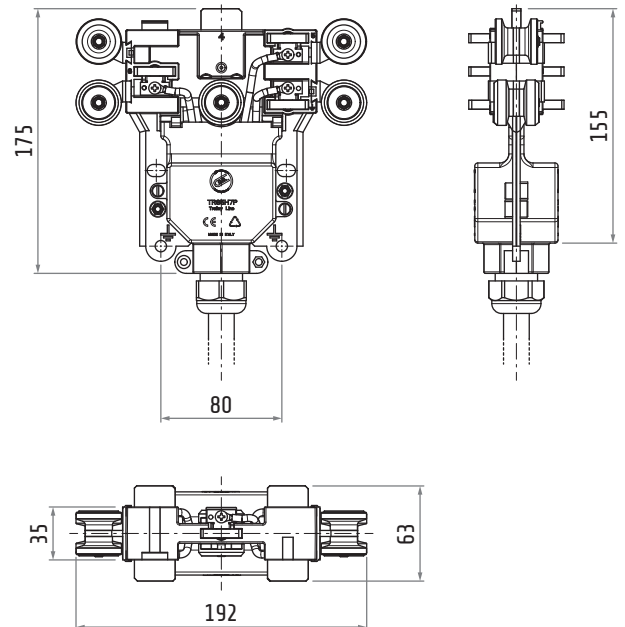
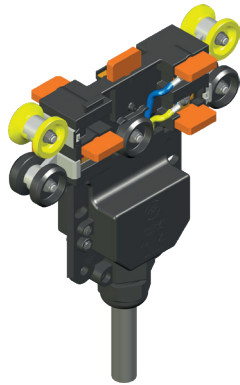


Please find the relevant reference guides on our instruction manuals page:

<https://www.giovenzana.com/leaflets/>

TR85H7P001

SINGLE TROLLEY CURRENT COLLECTOR



Material	body conductors	nylon metal carbon
Weight	~1370 g	
Amperage	35 A	
Conductors	7	

Dimensions in mm / illustrations NOT in scale