



The product is installed in these energy transmission lines:

TR85H5P pre-mounted

Please find the relevant reference guides on our instruction manuals page:

<https://www.giovenzana.com/leaflets/>

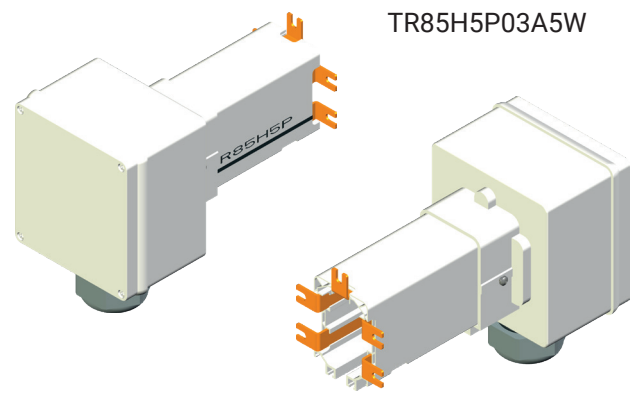
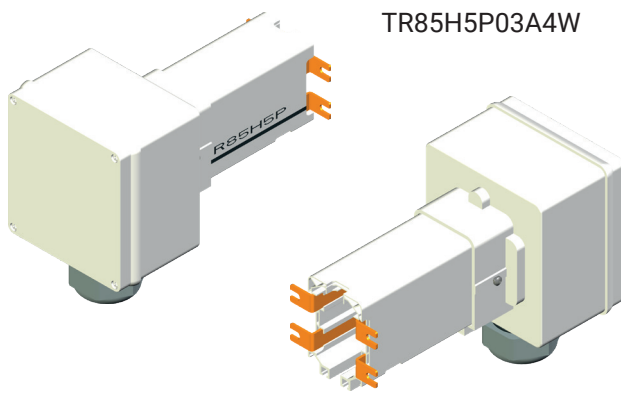
INSTRUCTION  
MANUALS



# TR85H5P03A4W

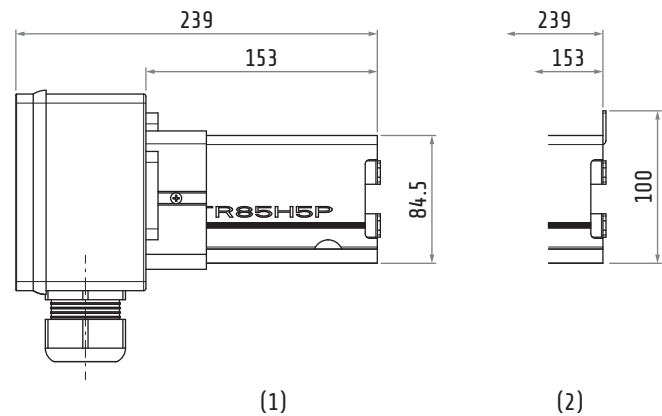
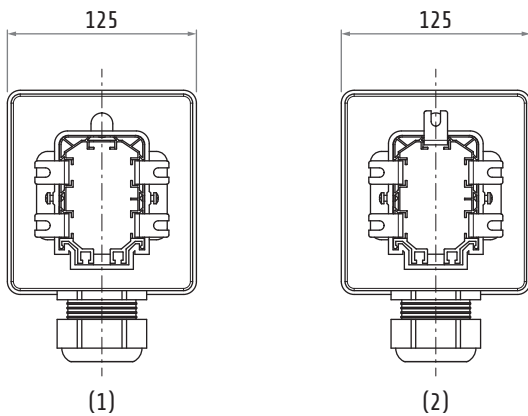
# TR85H5P03A5W

## HEAD FEED

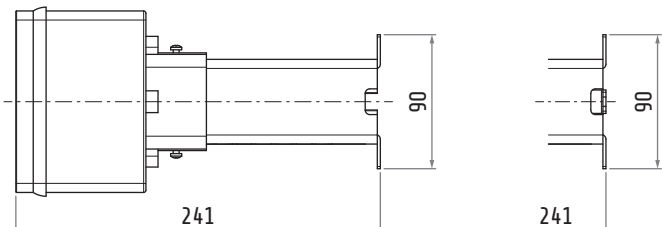


Material	body busbar conductors	nylon PVC copper
Weight	~820 g	
Conductors	4	
Conductors section	31 mm <sup>2</sup> 15.5 × 2 mm	

Material	body busbar conductors	nylon PVC copper
Weight	~880 g	
Conductors	5	
Conductors section	31 mm <sup>2</sup> 15.5 × 2 mm	



- |     |              |
|-----|--------------|
| (1) | 4 conductors |
| (2) | 5 conductors |



Dimensions in mm / illustrations NOT in scale