

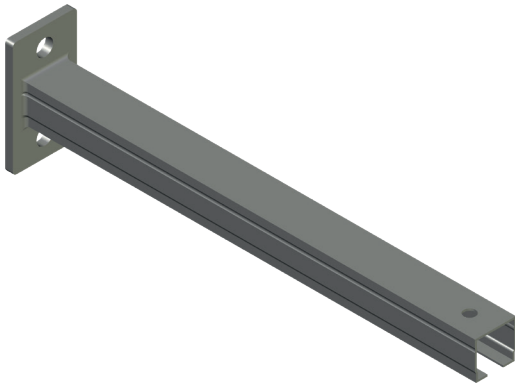


The product is installed in these energy transmission lines:

TR60	continuous
TR60	pre-mounted
TR85H5P	continuous
TR85H5P	pre-mounted
TR85H7P	continuous
TR85H7P	pre-mounted



Please find the relevant reference guides on our instruction manuals page:  
<https://www.giovenzana.com/leaflets/>



Material	galvanized steel
----------	------------------

	L	Weight
TR8555	350 mm	~640 g
TR8556	500 mm	~820 g

# TR8555

# TR8556

## WALL FIXING SUPPORT BRACKET

