



The product is installed in these energy transmission lines:

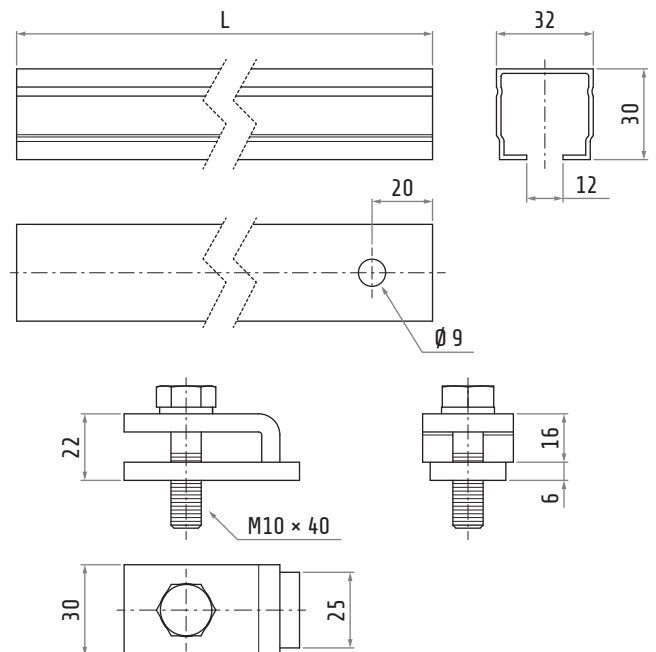
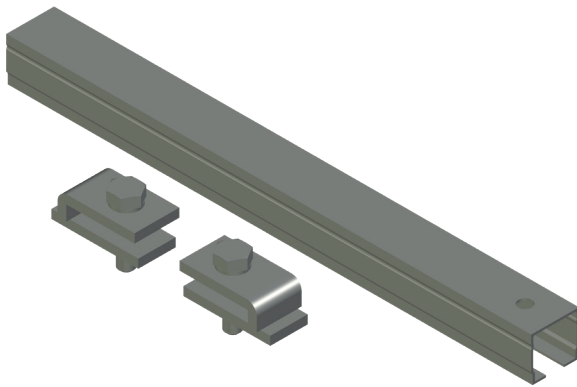
TR60	continuous
TR60	pre-mounted
TR85H5P	continuous
TR85H5P	pre-mounted
TR85H7P	continuous
TR85H7P	pre-mounted



Please find the relevant reference guides on our instruction manuals page:  
<https://www.giovenzana.com/leaflets/>

# TR8550 TR8551 TR8552

## SUPPORT BRACKET



Material	galvanized steel	
	L	Weight
TR8550	350 mm	~780 g
TR8551	500 mm	~960 g
TR8552	700 mm	~1200 g

Dimensions in mm / illustrations NOT in scale