



The product is installed in these energy transmission lines:

TR85H5P	continuous
TR85H7P	continuous

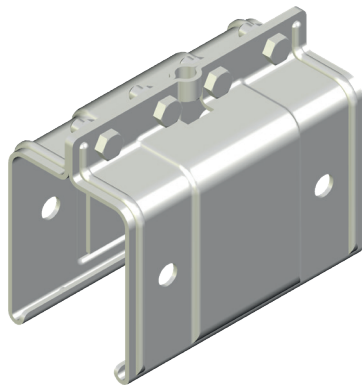


Please find the relevant reference guides on our instruction manuals page:

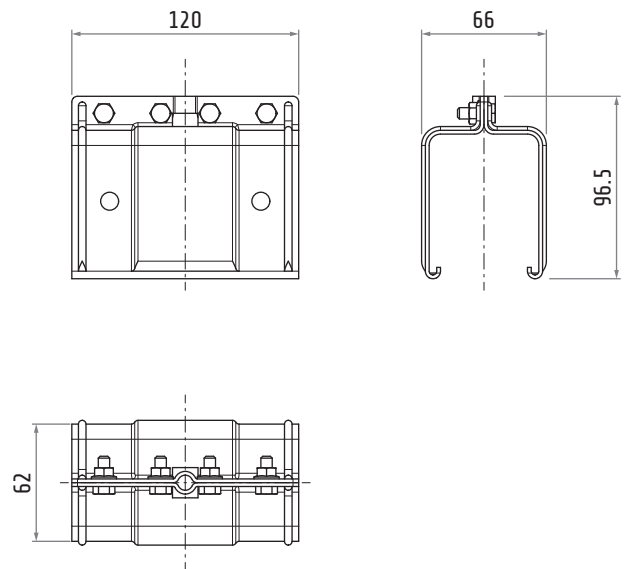
<https://www.giovenzana.com/leaflets/>

TR8524

METAL JOINT UNIT



Material	body	galvanized steel
	hardware	galvanized steel
Weight		~530 g



Dimensions in mm / illustrations NOT in scale