



The product is installed in these energy transmission lines:

TR85H5P	continuous
TR85H5P	pre-mounted

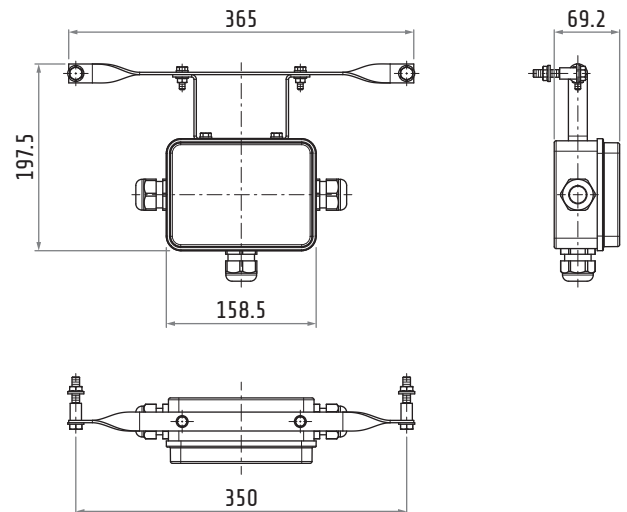
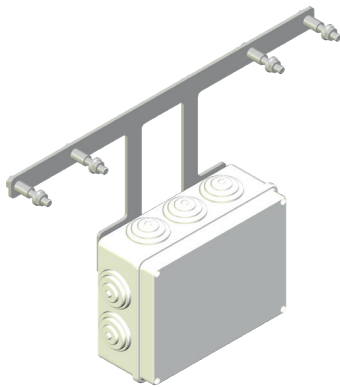


Please find the relevant reference guides on our instruction manuals page:

<https://www.giovenzana.com/leaflets/>

TR8523

DOUBLE TROLLEY SUPPORT



Material	box body hardware	plastic galvanized steel galvanized steel
Weight		~690 g

Dimensions in mm / illustrations NOT in scale