



The product is installed in these energy transmission lines:

| | |
|---------|-------------|
| TR85H5P | continuous |
| TR85H5P | pre-mounted |

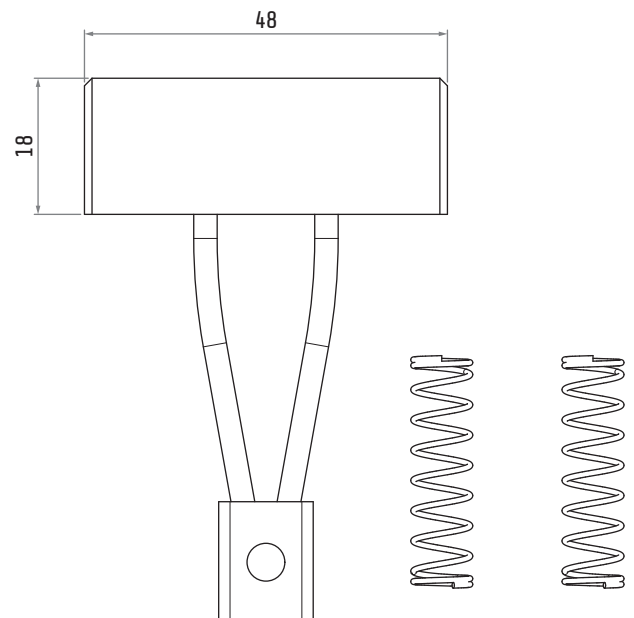
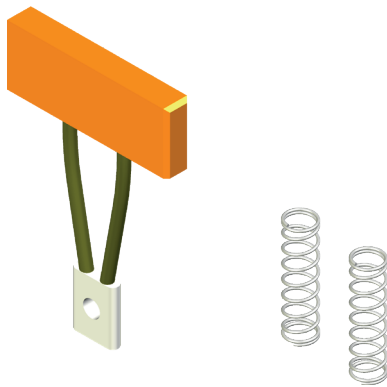


Please find the relevant reference guides on our instruction manuals page:

<https://www.giovenzana.com/leaflets/>

TR8520K

BRUSH KIT REPLACEMENT FOR TR8518, TR8519 AND TR8532



| | | |
|----------|-------------------|----------------------------------|
| Material | contact spring | metal carbon galvanized steel |
| Weight | | ~60 g |

Dimensions in mm / illustrations NOT in scale