



The product is installed in these energy transmission lines:

TR85H5P	continuous
TR85H5P	pre-mounted
TR85H7P	continuous
TR85H7P	pre-mounted

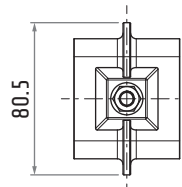
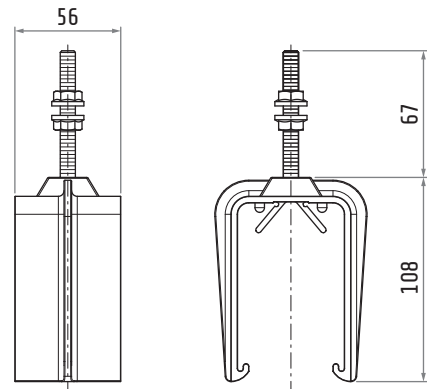
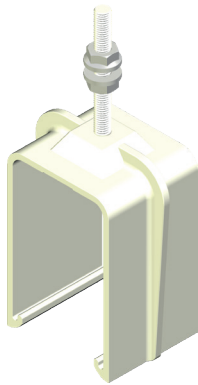


TR8502W

Please find the relevant reference guides on our instruction manuals page:

<https://www.giovenzana.com/leaflets/>

PLASTIC HANGER CLAMP



Material	body	nylon
	hardware	galvanized steel
Weight	~110 g	

Dimensions in mm / illustrations NOT in scale