



The product is installed in these energy transmission lines:

TR60 pre-mounted

Please find the relevant reference guides on our instruction manuals page:

INSTRUCTION  
MANUALS



# TR6034A4W

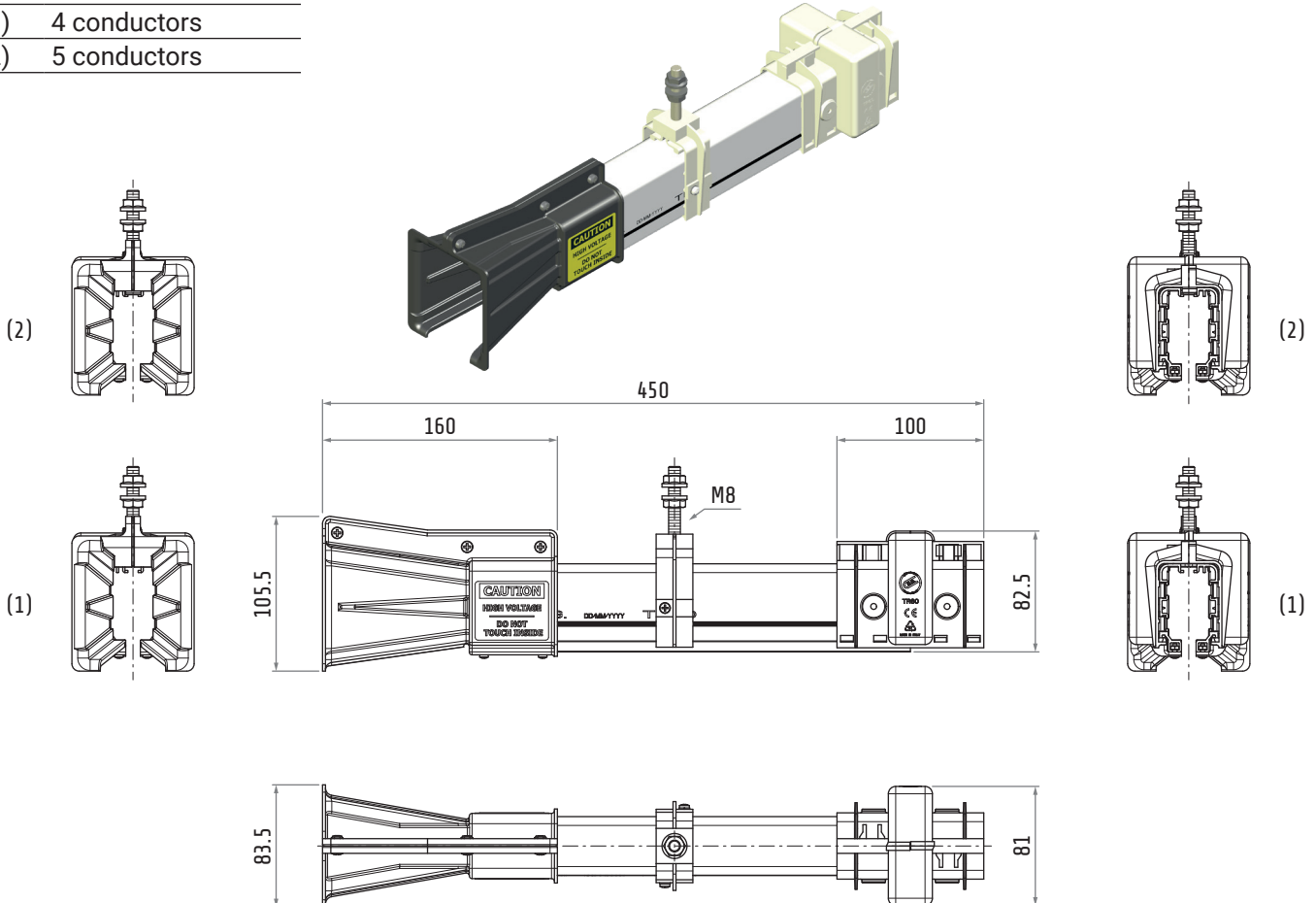
# TR6034A5W

<https://www.giovenzana.com/leaflets/>

## LEFT END TRANSFER GUIDE

		TR6034A4W	TR6034A5W
Material	hanger, joint busbar guide conductors hardware	nylon PVC ABS copper galvanized steel	nylon PVC ABS copper galvanized steel
Weight		~ 630 g	~677 g
Conductors		4	5
Conductors section		15 mm <sup>2</sup> 10 × 1.5 mm	15 mm <sup>2</sup> 10 × 1.5 mm

- (1) 4 conductors
- (2) 5 conductors



Dimensions in mm / illustrations NOT in scale