



The product is installed in these energy transmission lines:

TR60 continuous

Please find the relevant reference guides on our instruction manuals page:

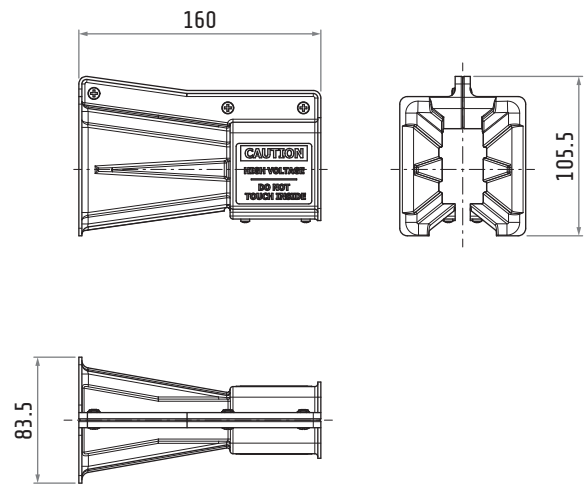
<https://www.giovenzana.com/leaflets/>

INSTRUCTION
MANUALS



TR6034

TRANSFER GUIDE



Material	body	ABS
Weight		~125 g

Dimensions in mm / illustrations NOT in scale