



The product is installed in these energy transmission lines:

TR60	continuous
TR60	pre-mounted

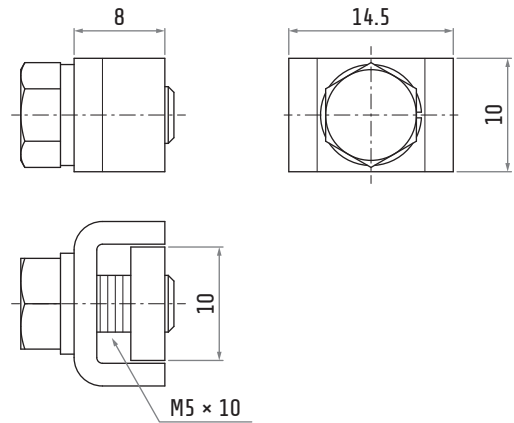
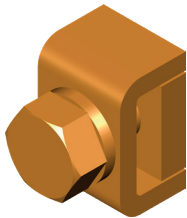


Please find the relevant reference guides on our instruction manuals page:

<https://www.giovenzana.com/leaflets/>

TR6015

CONDUCTORS CONNECTION CLAMP



Material	brass
Weight	~10 g

Dimensions in mm / illustrations NOT in scale