



The product is installed in these energy transmission lines:

TR60	continuous
TR60	pre-mounted

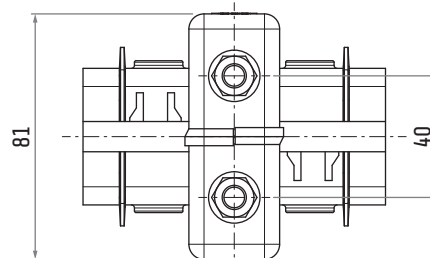
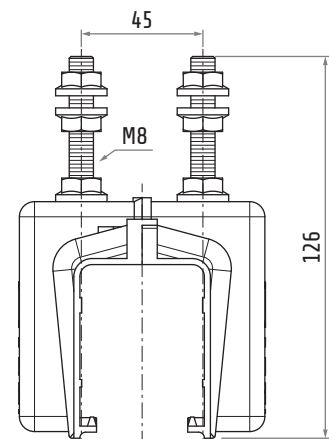
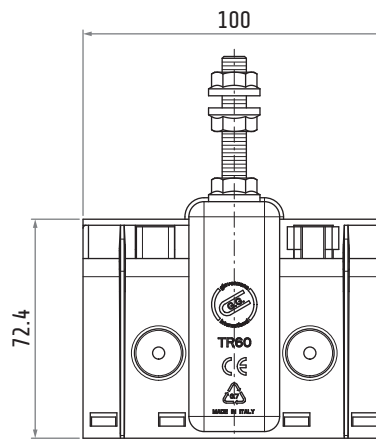
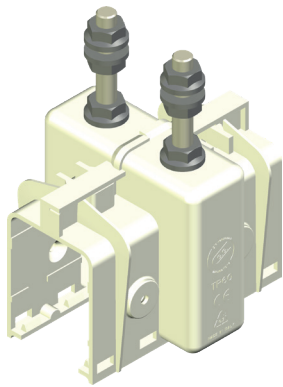


TR6014W

Please find the relevant reference guides on our instruction manuals page:

<https://www.giovenzana.com/leaflets/>

FIXED POINT



Material	body	nylon
	hardware	galvanized steel
Weight	~160 g	

Dimensions in mm / illustrations NOT in scale