



The product is installed in these energy transmission lines:

TR60	pre-mounted
------	-------------

Please find the relevant reference guides on our instruction manuals page:

<https://www.giovenzana.com/leaflets/>

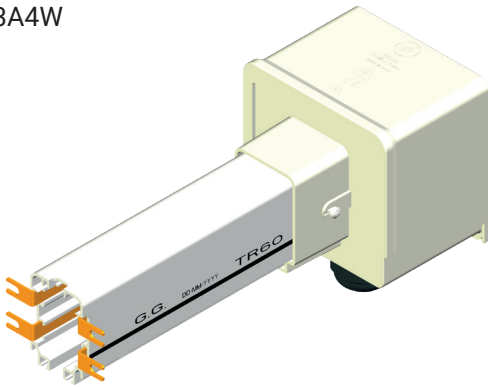


TR6003A4W

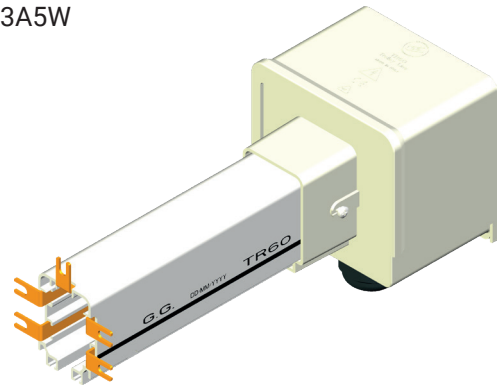
TR6003A5W

HEAD FEED

TR6003A4W

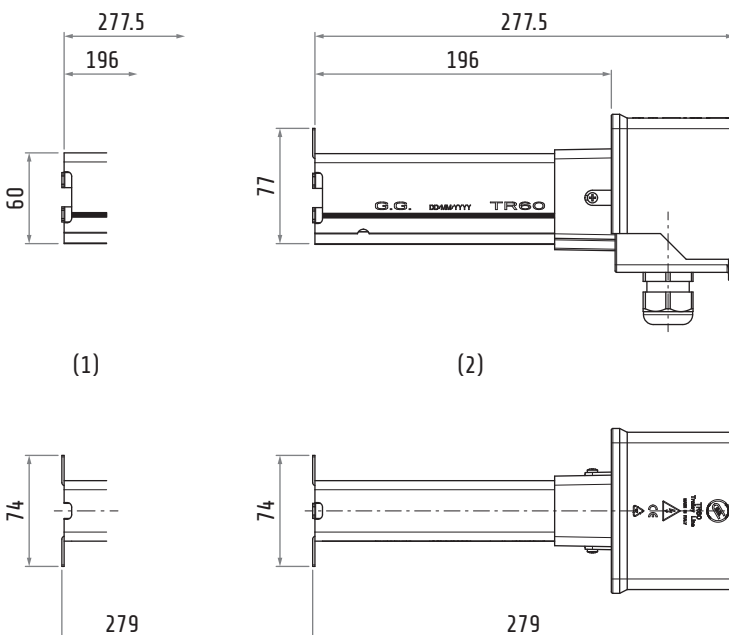


TR6003A5W



Material	body busbar conductors	nylon PVC copper
Weight	~470 g	
Conductors	4	
Conductors section	15 mm ² 10 × 1.5 mm	

Material	body busbar conductors	nylon PVC copper
Weight	~505 g	
Conductors	5	
Conductors section	15 mm ² 10 × 1.5 mm	



- | | |
|-----|--------------|
| (1) | 4 conductors |
| (2) | 5 conductors |

Dimensions in mm / illustrations NOT in scale