



EXB9



EXB0

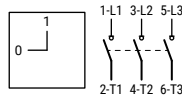
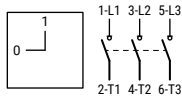
SQ040...EXB9/EXB0

SQ063...EXB9/EXB0

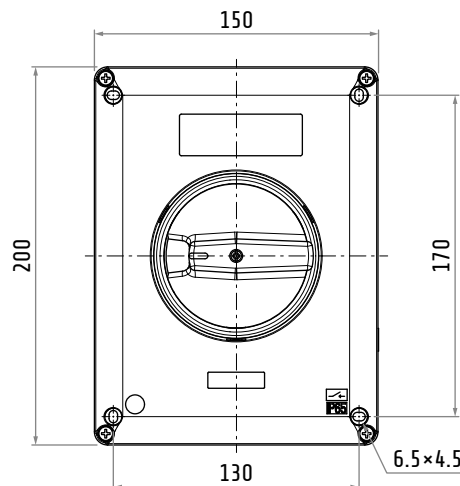
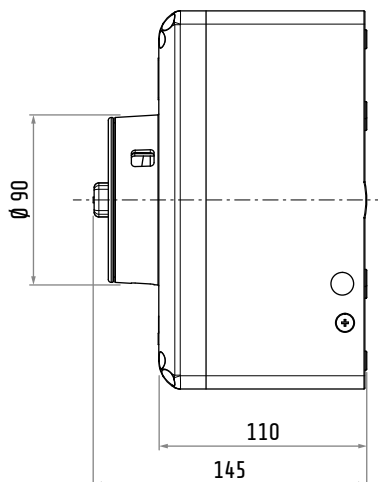
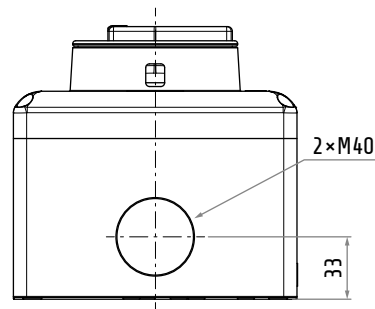
EXPLOSION PROOF EQUIPMENT

REGOLUS EX SWITCH DISCONNECTORS (63 A / 80 A)

Series	3 poles (EXB9)	3 poles (EXB0)	lth	lthe	AC-21A 690 V	AC-23A 400 V
SQ040	SQ040003DEXB9	SQ040003DEXB0	63 A	63 A	63 A	50 A
SQ063	SQ063003DEXB9	SQ063003DEXB0	80 A	80 A	80 A	75 A





Marking




Dimensions in mm / illustrations NOT in scale

EQUIPMENT CLASSIFICATION IN ACCORDANCE WITH UTILIZATION ZONES

ATEX	2014/34/EU European Directive						
	 0051  II 2D Ex tb IIC T85°C Db						
	All the models of the series are verified to be in compliance with the follows: Apparatus Category 2 D, suitable for installation hazardous areas: Zone 21 and 22 (dust) according to EN/IEC 60079-10-2.						
IECEX	EN IEC 60079-0 EN IEC 60079-31						
	<table border="1"> <tr> <td>Ex tb</td> <td>IIC</td> <td>T85°C</td> <td>Db</td> <td>Dust</td> </tr> </table>		Ex tb	IIC	T85°C	Db	Dust
Ex tb	IIC	T85°C	Db	Dust			
EAC Ex	TR TS 012/2011 GOST 31610.0 GOST R MEK 60079-31	TP TC 012/2011 ГОСТ 31610.0 ГОСТ Р МЭК 60079-31					
	See IECEx scheme reference						
INMETRO	Certificate issued in according to Brazilian requirements attached to INMETRO's Rule n°. 179 issued on May 18th, 2010 n°. 270 issued on May 21th, 2011 n°. 89 issued on May 23th, 2012	Certificado emitido conforme requisitos da avaliação da conformidade de equipamentos elétricos para atmosferas explosivas, anexo às Portarias Inmetro n°. 179 de 18 de maio de 2010 n°. 270 de 21 de junho de 2011 n°. 89 de 23 de fevereiro de 2012					
	See IECEx scheme reference						

ENCLOSURE SPECIFICATIONS

Material	aluminium	
Color	SQ...EXB9	black box, grey cover and black knob
	SQ...EXB0	black box, yellow cover and black knob
Dimensions	150 × 200 × 110 mm	
IP rating	EC 60079-0	IP65
Appliance class	class II (double insulation) 	
Operating temperature	-20 ... +55°C	
Locking facility	max 3 padlocks	in "0 - OFF" position
Opening	in "0 - OFF" position	
Cable entry	2 × hole for M40 cable gland	

SWITCH DISCONNECTOR SPECIFICATIONS

Switch disconnecter • General characteristics

Material group		EN 60947-1	II
Pollution grade		EN 60947-1	3
Flammability	live electrical parts	UL94	V0
Ambient temperature	operating storage		-25 ... +55°C -30 ... +70°C
Climate withstand		IEC 68 part 2-3 IEC 68 part 2-30	damp heat, steady state damp heat, cyclic
Terminal screw identification	conforming to		EN50013
Connections	terminal block caliber	EN60947-1	A8
	terminal screw		M5
	tightening torque	EN60947-1 UL508	3 N·m 32 lb·in (3.6 N·m)
Connectable section	flexible conductors		6 ... 25 mm ² AWG 10 ... 2
Contacts			slow action double breaking
Opening angles			90°
Mechanical lifetime	@ 120 operations / hour		0.1 million cycles
Maximum altitude derating	up to 2000 m over 2000 m	voltage (V) power (A)	standard < 1% each 100 m < 1% each 1000 m

Switch disconnecter • EN 60947-3 characteristics

		SQ040	SQ063
Rated operating voltage	U _e	690 V	690 V
Rated insulation voltage	U _i	690 V	690 V
Rated impulse withstand voltage (sectionable)	U _{imp}	8 kV	8 kV
Rated thermal current	I _{th}	63 A	80 A
Rated enclosed thermal current	I _{the}	63 A	80 A
Frequency		50/60 Hz	50/60 Hz

Switch disconnecter • Alternate current

Rated operating current		le		SQ040	SQ063
AC-21A	Switching of resistive loads, including moderate overloads		690 V	63 A	80 A
AC-22A	Switching of mixed resistive and inductive loads, including moderate overloads		690 V	63 A	80 A
AC-23A	Switching of motor loads or other highly inductive loads	3 phases - 3 poles	230 V	63 A	80 A
			400 V	50 A	80 A
			500 V	50 A	75 A
			690 V	26 A	75 A
AC-3	Squirrel-cage motors: starting, switches off motors during running time	3 phases - 3 poles	230 V	45 A	32 A
			400 V	40 A	60 A
			500 V	35 A	60 A
			690 V	22 A	45 A
AC-23A	Nominal breaking capacity (cosφ 0.45)		230 V	360 A	600 A
			400 V	360 A	536 A
			500 V	280 A	536 A
			690 V	176 A	256 A

Switch disconnecter • Short circuit characteristics

			SQ040		SQ063	
Rated short-time short circuit withstand current (1 s)	lcw		1200 A		1500 A	
Rated short circuit making capacity	lcm		2200 A		2800 A	
Conditional rated short circuit withstand current			10 kA	5 kA	10 kA	5 kA
Fuse rating (type gG)	690 V		63 A	80 A	63 A	80 A