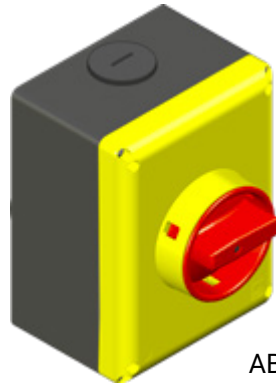




AB9



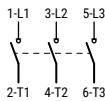
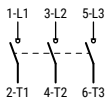
AB0

SQ040...AB9/AB0

SQ063...AB9/AB0

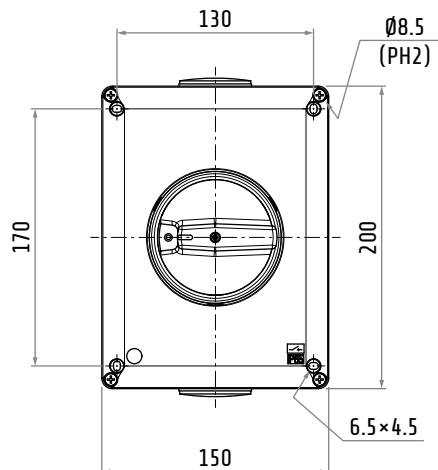
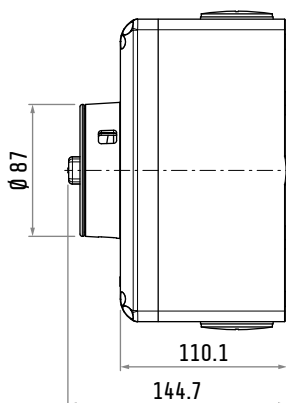
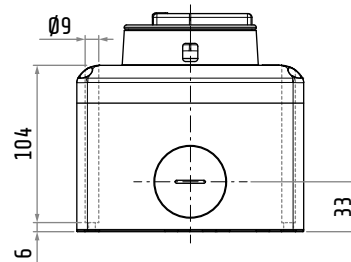
REGOLUS SWITCH DISCONNECTORS IN METAL ENCLOSURE (63 A / 80 A)

Series	3 poles (AB9)	3 poles (AB0)	AC-21A - 690 V	AC-23A - 400 V
SQ040	SQ040003BAB9	SQ040003BAB0	63 A	50 A
SQ063	SQ063003BAB9	SQ063003BAB0	80 A	75 A



Enclosure features

- Material: metal
- IP rating (EN 60529): IP65
- UL50 / NEMA: Type 1 - 4 - 4X
- Double insulation
- Enclosure opening in "0" position
- Cable entry: 2 × M20 plugs
- Locking facility in "0 - OFF" (max 3 padlocks)
- Dimensions: 150×200×110 mm
- AB9: black box, grey cover and black knob
- AB0: black box, yellow cover and red knob
- Marking: CE



Dimensions in mm / illustrations NOT in scale

SWITCH DISCONNECTORS SPECIFICATIONS

General characteristics

Connections	terminal block caliber	EN60947-1	A8
	terminal screw		M5
	tightening torque	EN60947-1 UL508	3 N·m 32 lb·in (3.6 N·m)
Connectable section	flexible conductors		1.5 ... 25 mm ² / AWG 10 ... 2
	solid conductors		1.5 ... 25 mm ² / AWG 10 ... 2
Contacts			slow action, double breaking

EN 60947-3 characteristics

		SQ040...	SQ063...
Rated operating voltage	U _e	690 V	690 V
Rated insulation voltage	U _i	690 V	690 V
Rated impulse withstand voltage (sectionable)	U _{imp}	8 kV	8 kV
Rated thermal current	I _{th}	63 A	80 A
Rated enclosed thermal current	I _{the}	63 A	80 A
Frequency		50/60 Hz	50/60 Hz

Rated operating current (I_e)

		SQ040...	SQ063...
AC-21A	690 V	63 A	80 A
AC-22A	690 V	63 A	80 A
AC-23A	3 phases - 3 poles 400 V	50 A	75 A
AC-3	3 phases - 3 poles 400 V	40 A	60 A

Short circuit characteristics

		SQ040...	SQ063...
Rated short-time short circuit withstand current (1 s)	I _{cw}	1200 A	1500 A
Rated short circuit making capacity	I _{cm}	2200 A	2800 A
Conditional rated short circuit withstand current		10 kA	10 kA
Fuse rating (type gG)	690 V	80 A	80 A

UL508 characteristics

		SQ040...	SQ063...
General use	600 V AC	60 A	80 A
Standard motor load	1 phase - 2 poles	200 - 208 V AC	3 HP
	3 phases - 3 poles	200 - 208 V AC	7.5 HP
			5 HP 10 HP