

EX09



EX10

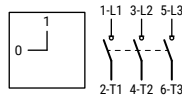
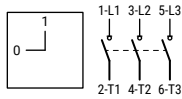
SQ025...EX09/EX10

SQ032...EX09/EX10

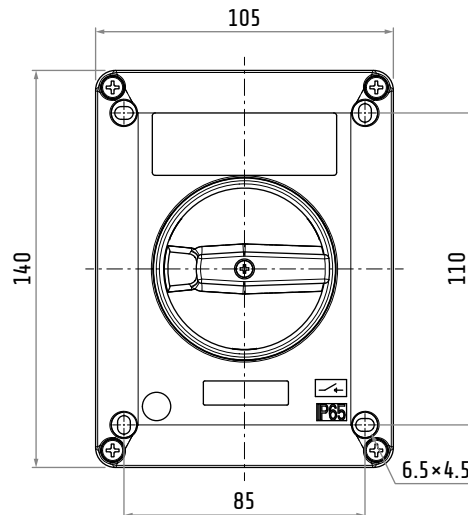
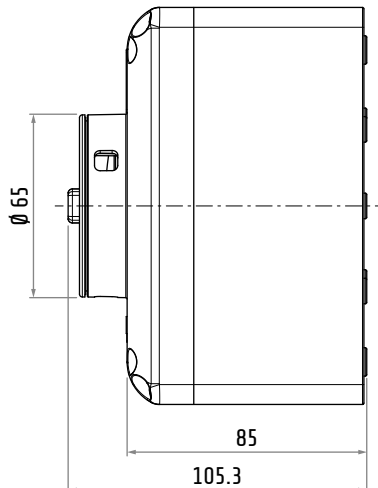
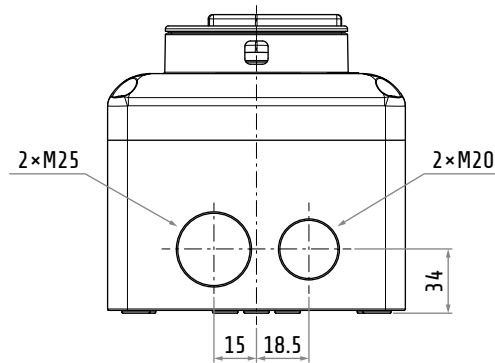
EXPLOSION PROOF EQUIPMENT

REGOLUS EX SWITCH DISCONNECTORS (32 A / 40 A)

Series	3 poles (EX09)	3 poles (EX10)	lth	lthe	AC-21A 690 V	AC-23A 400 V
SQ025	SQ025003DEX09	SQ025003DEX10	32 A	32 A	32 A	25 A
SQ032	SQ032003DEX09	SQ032003DEX10	40 A	40 A	40 A	32 A





Marking




Dimensions in mm / illustrations NOT in scale

EQUIPMENT CLASSIFICATION IN ACCORDANCE WITH UTILIZATION ZONES

ATEX	2014/34/EU European Directive	 0051  II 2D Ex tb IIC T85°C Db		All the models of the series are verified to be in compliance with the follows: Apparatus Category 2 D, suitable for installation hazardous areas: Zone 21 and 22 (dust) according to EN/IEC 60079-10-2.					
IECEX	EN IEC 60079-0 EN IEC 60079-31	<table border="1"> <tr> <td>Ex tb</td> <td>IIC</td> <td>T85°C</td> <td>Db</td> <td>Dust</td> </tr> </table>		Ex tb	IIC	T85°C	Db	Dust	
Ex tb	IIC	T85°C	Db	Dust					
EAC Ex	TR TS 012/2011 GOST 31610.0 GOST R MEK 60079-31			TP TC 012/2011 ГОСТ 31610.0 ГОСТ Р МЭК 60079-31					
See IECEx scheme reference									
INMETRO	Certificate issued in according to Brazilian requirements attached to INMETRO's Rule n°. 179 issued on May 18th, 2010 n°. 270 issued on May 21th, 2011 n°. 89 issued on May 23th, 2012			Certificado emitido conforme requisitos da avaliação da conformidade de equipamentos elétricos para atmosferas explosivas, anexo às Portarias Inmetro n°. 179 de 18 de maio de 2010 n°. 270 de 21 de junho de 2011 n°. 89 de 23 de fevereiro de 2012					
See IECEx scheme reference									

ENCLOSURE SPECIFICATIONS

Material		aluminium
Color	SQ...EX09	black box, grey cover and black knob
	SQ...EX10	black box, yellow cover and black knob
Dimensions		105 × 140 × 85 mm
IP rating	EC 60079-0	IP65
Appliance class		class II (double insulation) 
Operating temperature		-20 ... +55°C
Locking facility	max 3 padlocks	in "0 - OFF" position
Opening		in "0 - OFF" position
Cable entry		2 × hole for M25 cable gland
		2 × hole for M20 cable gland

SWITCH DISCONNECTOR SPECIFICATIONS

Switch disconnecter • General characteristics

Material group		EN 60947-1	II
Pollution grade		EN 60947-1	3
Flammability	live electrical parts	UL94	V0
Ambient temperature	operating storage		-25 ... +55°C -30 ... +70°C
Climate withstand		IEC 68 part 2-3 IEC 68 part 2-30	damp heat, steady state damp heat, cyclic
Terminal screw identification	conforming to		EN50013
Connections	terminal block caliber	EN60947-1	A6
	terminal screw		M4
	tightening torque	EN60947-1 UL508	1.2 N·m 7 lb·in (0.8 N·m)
Connectable section	flexible conductors		1.5 ... 10 mm ² AWG 12 ... 8
Contacts			slow action double breaking
Opening angles			90°
Mechanical lifetime	@ 120 operations / hour		0.1 million cycles
Maximum altitude derating	up to 2000 m over 2000 m	voltage (V) power (A)	standard < 1% each 100 m < 1% each 1000 m

Switch disconnecter • EN 60947-3 characteristics

		SQ025	SQ032
Rated operating voltage	U _e	690 V	690 V
Rated insulation voltage	U _i	690 V	690 V
Rated impulse withstand voltage (sectionable)	U _{imp}	8 kV	8 kV
Rated thermal current	I _{th}	32 A	40 A
Rated enclosed thermal current	I _{the}	32 A	40 A
Frequency		50/60 Hz	50/60 Hz

Switch disconnecter • Alternate current

Rated operating current		le		SQ025	SQ032		
AC-21A	Switching of resistive loads, including moderate overloads		690 V	32 A		40 A	
AC-22A	Switching of mixed resistive and inductive loads, including moderate overloads		690 V	25 A		32 A	
AC-23A	Switching of motor loads or other highly inductive loads	3 phases - 3 poles	230 V	25 A	7.5 kW	32 A	10 kW
			400 V	25 A	15 kW	32 A	18.5 kW
			500 V	25 A	15 kW	32 A	22 kW
			690 V	16 A	15 kW	20 A	18.5 kW
AC-3	Squirrel-cage motors: starting, switches off motors during running time	3 phases - 3 poles	230 V	22 A	5.5 kW	27 A	7.5 kW
			400 V	22 A	11 kW	27 A	15 kW
			500 V	22 A	11 kW	27 A	18.5 kW
			690 V	16 A	11 kW	20 A	15 kW
AC-23A	Nominal breaking capacity (cosφ 0.45)		230 V	200 A		256 A	
			400 V	200 A		256 A	
			500 V	200 A		256 A	
			690 V	128 A		160 A	

Switch disconnecter • Short circuit characteristics

			SQ025	SQ032	
Rated short-time short circuit withstand current (1 s)	lcw		800 A	800 A	
Rated short circuit making capacity	lcm		1500 A	1500 A	
Conditional rated short circuit withstand current			10 kA	10 kA	
Fuse rating (type gG)		690 V	40 A	40 A	