



E09



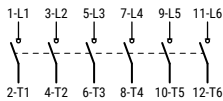
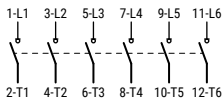
E10

SQ025...E09/E10

SQ032...E09/E10

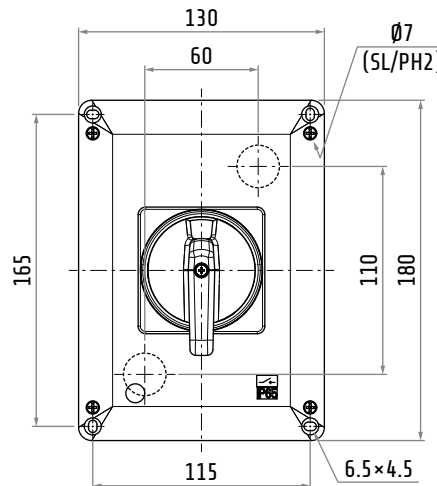
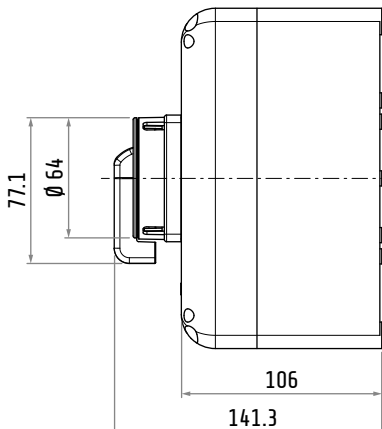
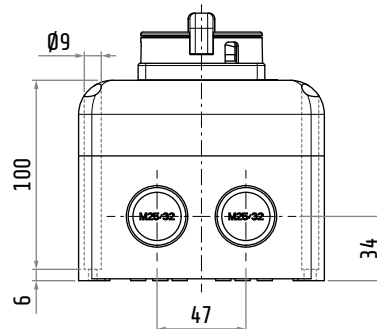
REGOLUS SWITCH DISCONNECTORS IN THERMOPLASTIC ENCLOSURE (32 A / 40 A)

Series	6 poles (E09)	6 poles (E10)	AC-21A - 690 V	AC-23A - 400 V
SQ025	SQ025006BE09	SQ025006BE10	32 A	25 A
SQ032	SQ032006BE09	SQ032006BE10	40 A	32 A



Enclosure features

- Material: thermoplastic
- IP rating (EN 60529): IP65
- UL50 / NEMA: Type 1 - 4 - 4X
- Double insulation
- Operating temperature certified down to -40°C
- Enclosure opening in "0" position
- Cable entry: 4 × M25/M32 knockouts + 2 × Ø 22.5 mm knockouts on the bottom
- Locking facility in "0 - OFF" (max 3 padlocks)
- Dimensions: 130×180×106 mm.
- E09: black box, grey cover and black knob
- E10: black box, yellow cover and red knob
- Marking: CE



Dimensions in mm / illustrations NOT in scale

SWITCH DISCONNECTORS SPECIFICATIONS

General characteristics

Connections	terminal block caliber	EN60947-1	A6
	terminal screw		M4
	tightening torque	EN60947-1 UL508	1.2 N·m 7 lb·in (0.8 N·m)
Connectable section	flexible conductors		1.5 ... 10 mm ² / AWG 12 ... 8
	solid conductors		1.5 ... 10 mm ² / AWG 12 ... 8
Contacts			slow action, double breaking

EN 60947-3 characteristics

			SQ025...	SQ032...
Rated operating voltage	U _e		690 V	690 V
Rated insulation voltage	U _i		690 V	690 V
Rated impulse withstand voltage (sectionable)	U _{imp}		8 kV	8 kV
Rated thermal current	I _{th}		32 A	40 A
Rated enclosed thermal current	I _{the}		32 A	40 A
Frequency			50/60 Hz	50/60 Hz

Rated operating current (I_e)

			SQ025...	SQ032...
AC-21A		690 V	32 A	40 A
AC-22A		690 V	25 A	32 A
AC-23A	3 phases - 3 poles	400 V	25 A	32 A
AC-3	3 phases - 3 poles	400 V	22 A	27 A

Short circuit characteristics

			SQ025...	SQ032...
Rated short-time short circuit withstand current (1 s)	I _{cw}		800 A	800 A
Rated short circuit making capacity	I _{cm}		1500 A	1500 A
Conditional rated short circuit withstand current			10 kA	10 kA
Fuse rating (type gG)		690 V	40 A	40 A

UL508 characteristics

			SQ025...	SQ032...
General use		600 V AC	32 A	40 A
Standard motor load	1 phase - 2 poles	200 - 208 V AC	2 HP	3 HP
	3 phases - 3 poles	200 - 208 V AC	7.5 HP	10 HP