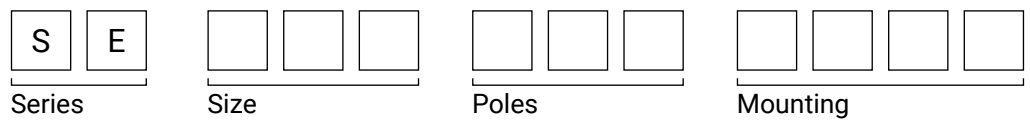




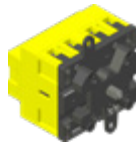
SE63... SE80... SE100...

REGOLUS SWITCH DISCONNECTORS (63 A / 80 A / 100 A)

Code reading



Type R
panel mounting



2 poles	3 poles	4 poles
SE630002R	SE630003R	SE630004R
SE800002R	SE800003R	SE800004R
SE1000002R	SE1000003R	SE1000004R

Type B
base mounting



2 poles	3 poles	4 poles
SE630002B	SE630003B	SE630004B
SE800002B	SE800003B	SE800004B
SE1000002B	SE1000003B	SE1000004B

SPECIFICATIONS

General characteristics

Protection class	terminals	EN 60529	IP20
Material group		EN 60947-1	II
Pollution grade		EN 60947-1	3
Flammability	live electrical parts	UL94	V0
Ambient temperature	operating storage		-25 ... +55°C -30 ... +70°C
Climate withstand		IEC 68 part 2-3 IEC 68 part 2-30	damp heat, steady state damp heat, cyclic
Connections	terminal block caliber	EN60947-1	A8
	terminal screw		M5
	tightening torque	EN60947-1 UL508	3 N·m 32 lb·in (3.6 N·m)
Connectable section	flexible conductors		6 ... 25 mm ² AWG 10 ... 2
	solid conductors		10 ... 35 mm ² AWG 10 ... 2
Contacts			slow action double breaking
Opening angles			90°
Mechanical lifetime	@ 120 operations / hour		0.1 million cycles
Maximum altitude derating	up to 2000 m over 2000 m	voltage (V)	standard < 1% each 100 m
		power (A)	< 1% each 1000 m

EN 60947-3 characteristics

		SE63	SE80	SE100
Rated operating voltage	U _e	690 V	690 V	690 V
Rated insulation voltage	U _i	690 V	690 V	690 V
Rated impulse withstand voltage (sectionable)	U _{imp}	8 kV	8 kV	8 kV
Rated thermal current	I _{th}	63 A *	86 A *	100 A
Rated enclosed thermal current	I _{the}	63 A *	86 A *	86 A
Frequency		50 Hz	50 Hz	50 Hz

* IMQ values.

Alternate current

Rated operating current		le		SE63	SE80		SE100		
AC-21A	Switching of resistive loads, including moderate overloads		690 V	63 A *		80 A *		100 A	
AC-22A	Switching of mixed resistive and inductive loads, including moderate overloads		690 V	-	-		100 A		
AC-23A	Switching of motor loads or other highly inductive loads	3 phases - 3 poles	230 V	63 A	80 A	86 A			
			400 V	50 A	15 kW	63 A	18.5 kW	70 A	22 kW
			500 V	50 A	30 kW	60 A	30 kW	67 A	37 kW
			690 V	32 A	33 kW	35 A	33 kW	38 A	37 kW
AC-3	Squirrel-cage motors: starting, switches off motors during running time	3 phases - 3 poles	230 V	40 A	11 kW	50 A	15 kW	60 A	18.5 kW
			400 V	40 A	22 kW	50 A	25 kW	55 A	30 kW
			500 V	40 A	30 kW	50 A	33 kW	55 A	37 kW
			690 V	25 A	22 kW	27 A	25 kW	32 A	30 kW
AC-23A	Nominal breaking capacity (cosφ 0.45)		230 V	400 A	504 A	560 A			
			400 V	400 A	480 A	536 A			
			500 V	400 A	480 A	536 A			
			690 V	256 A	280 A	304 A			

Short circuit characteristics

			SE63	SE80		SE100	
Rated short-time short circuit withstand current (1 s)	l _{cw}		1500 A	1500 A		1500 A	
Rated short circuit making capacity	l _{cm}		2840 A	2840 A		2840 A	
Conditional rated short circuit withstand current			10 kA *	10 kA *		10 kA	
Fuse rating (type gG)		500 V	-	-		100 A	
		690 V	63 A (80 A *)	80 A *		-	

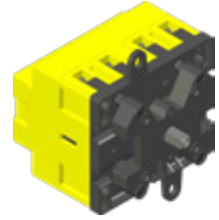
UL 508 characteristics

			SE63	SE80		SE100		
General use		600 V AC	63 A	80 A		100 A		
Standard motor load	1 phase - 2 poles	120 V AC	3 HP	34 FLA	3 HP	34 FLA	3 HP	34 FLA
		240 V AC	7.5 HP	40 FLA	7.5 HP	40 FLA	10 HP	50 FLA
	3 phases - 3 poles	240 V AC	10 HP	28 FLA	10 HP	28 FLA	10 HP	28 FLA
		480 V AC	20 HP	27 FLA	25 HP	34 FLA	25 HP	34 FLA
		600 V AC	25 HP	27 FLA	30 HP	32 FLA	30 HP	32 FLA

* IMQ values.

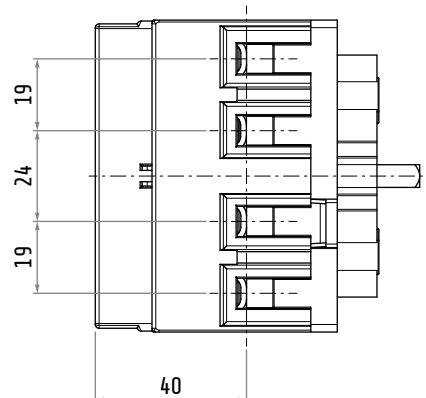
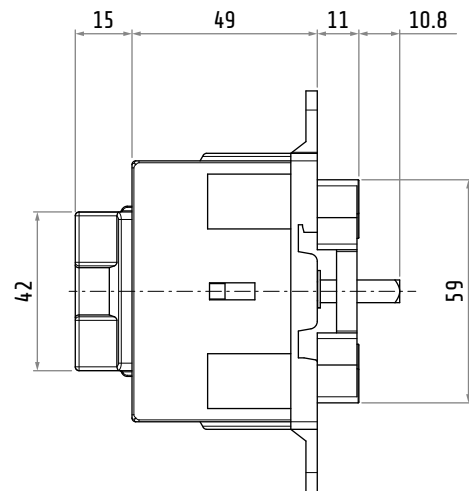
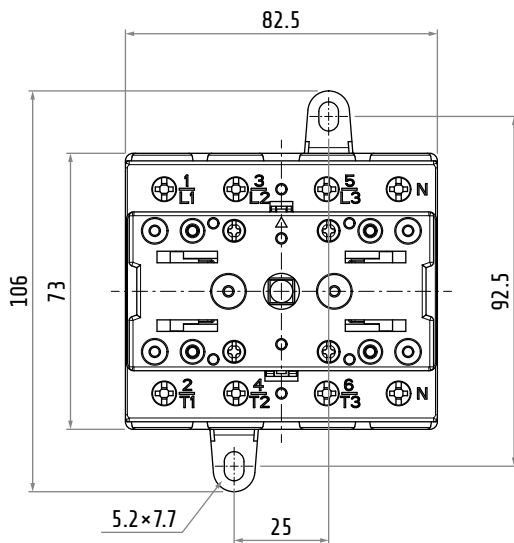
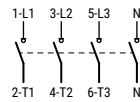
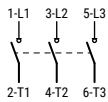
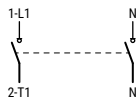
OVERALL DIMENSIONS

Type R



- rear panel mounting
- screw fixing
- 2, 3 or 4 poles

Series	2 poles	3 poles	4 poles	AC-21A 690 V	AC-23A 400 V
SE63	SE630002R	SE630003R	SE630004R	63 A	50 A
SE80	SE800002R	SE800003R	SE800004R	80 A	60 A
SE100	SE1000002R	SE1000003R	SE1000004R	100 A	67 A



SE100 does not carry the CCC marking

Marking: CE, UL, IMQ, EAC, CCC, RINA, UKCA

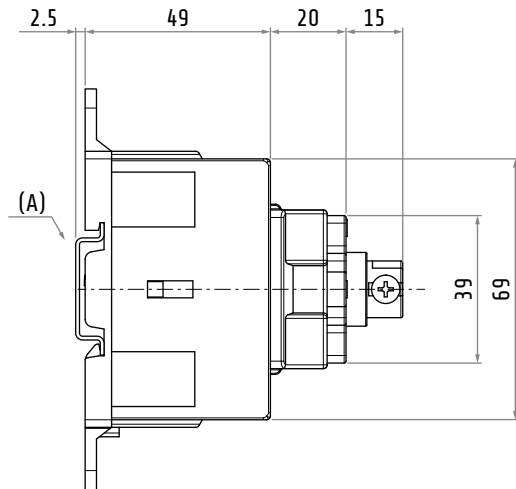
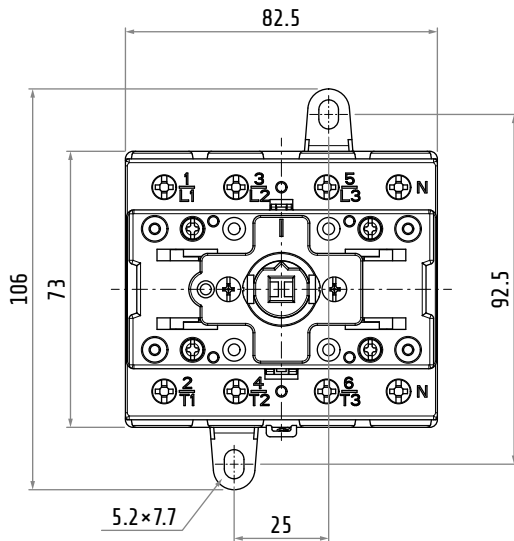
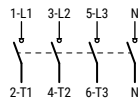
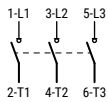
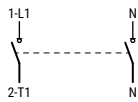
Dimensions in mm / illustrations NOT in scale

Type B



- base mounting
- DIN rail 35 mm mounting (EN 50022-35)
- suitable for door locking actuators
- 2, 3 or 4 poles

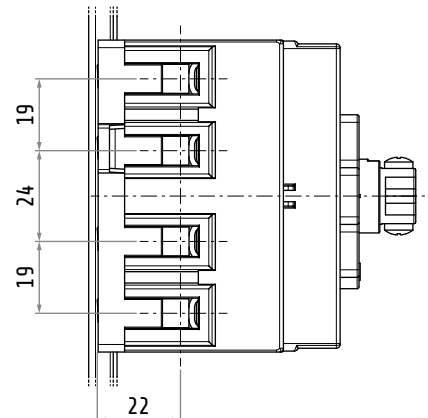
Series	2 poles	3 poles	4 poles	AC-21A 690 V	AC-23A 400 V
SE63	SE630002B	SE630003B	SE630004B	63 A	50 A
SE80	SE800002B	SE800003B	SE800004B	80 A	60 A
SE100	SE1000002B	SE1000003B	SE1000004B	100 A	67 A



(A) DIN rail 35 mm (EN 50022-35)

This configuration allows both base mounting and DIN mounting.

SE100 does not carry the CCC marking



Marking: CE, UL, IMQ, EAC, CCC, RINA, UKCA

Dimensions in mm / illustrations NOT in scale

ACTUATORS

Actuator code reading

0	0	1	/	0	0	0	1	-	L
Actuator				Wording					

Switch disconnectors / actuators matrix



Type	R	B
Mounting	panel	base
Poles	2 / 3	2 / 3

ACTUATOR

67×67
Grey/Black
padlock
screw
Ø 22



319/...
-



321/...
-

67×67
Yellow/Red
padlock
screw
Ø 22



320/...
-



322/...
-

WORDING








...0001-L



...0001-L

ACCESSORIES

	Panel mounting	Base mounting
Terminal protections		
Terminal protection for 2 + 2 poles	 20900003	 20900003
Tools		
Fixing device	 PCF	 PCF
Shaft extension 6×6	L = 185 mm L = 300 mm	 20900010 20900011