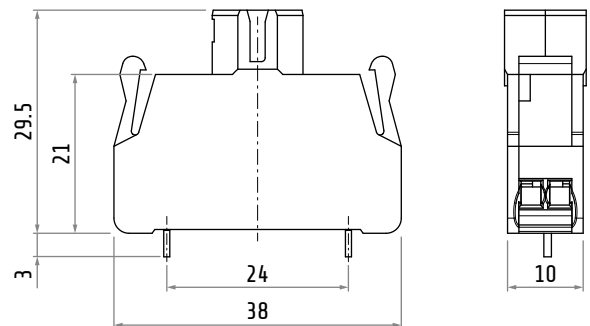


PSCAD...

PSCAD

LAMPHOLDER CONTACT BLOCK WITH SOLDER CONTACTS AND BA9S SOCKET

Contact			
Lamp holder			BA9s
Connections	terminal type		solder
Power supply		max	400 V
Absorbed power		max	2.4 W
Marking			CE, IMQ, RINA, CCC, EAC, UL, UKCA



Dimensions in mm / illustrations NOT in scale