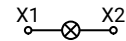


PSC5L...

PSC5L...

**CONTACT BLOCK WITH SOLDER
CONTACTS AND BUILT-IN LED**

Contact



Connections

terminal type

solder

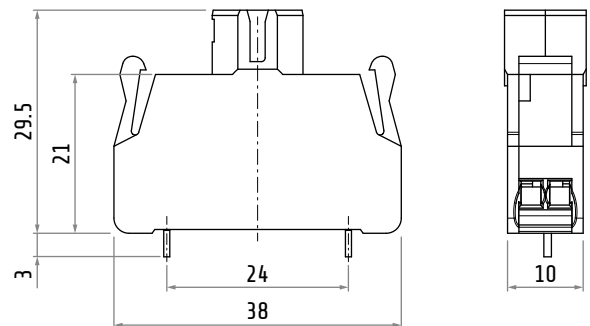
Power supply

PSC5L12
PSC5L24
PSC5L48
PSC5L110
PSC5L220

AC/DC 12 V
AC/DC 24 V
AC/DC 48 V
AC/DC 110 V
AC 220 V

Marking

CE, IMQ, RINA, CCC, EAC, UL, UKCA



Dimensions in mm / illustrations NOT in scale