



PSC01 (NC)



PSC10 (NO)

PSC01

PSC10

CONTACT BLOCKS WITH SOLDER TERMINALS

Contact type	PSC01	NC		
	PSC10	NO		
Operating force	4 N			
Contacts	slow action, double breaking			
Electrical lifetime	AC-15	1 A	1.5 million cycles	
		2 A	0.5 million cycles	
		3 A	0.25 million cycles	
Marking	CE, IMQ, RINA, EAC, CCC, UL			

EN 60947-5-1 characteristics

Rated insulation voltage	Ui	690 V *
Rated impulse withstand voltage	Uimp	4 kV *
Rated thermal current	Ith	16 A *
Rated enclosed thermal current	Ithe	10 A
Frequency		50/60 Hz

Rated operating current (Ie)

AC-15	4 A	400 V	DC-13	0.25 A	220 V
-------	-----	-------	-------	--------	-------

Minimum constant current	1 mA @ 5 Vdc
	1 mA @ 24 Vdc

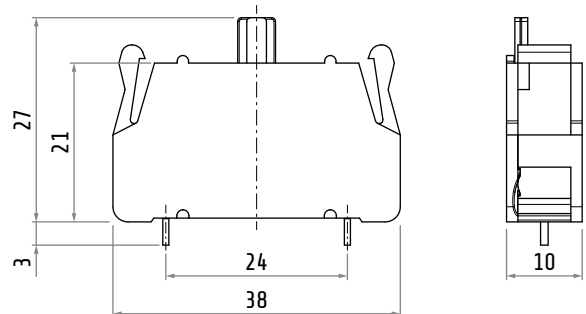
Short circuit characteristics

Conditional rated short circuit withstand current	1000 A *
Fuse rating (type gG)	500 V 10 A *
Contact insulation resistance	≤ 25 mΩ

UL 508 characteristics

Rated insulation voltage	Ui	10 A	600 V AC
		2.5 A	125 V DC
Rated impulse withstand voltage	Uimp	A600	Q600

* IMQ approved values



Dimensions in mm / illustrations NOT in scale