



PPMN

Available on request:

- special symbols and wordings
- horizontal reading / mounting

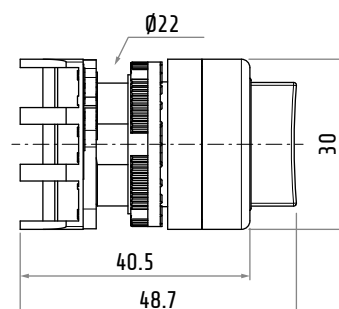
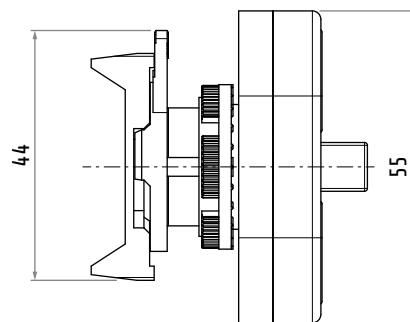
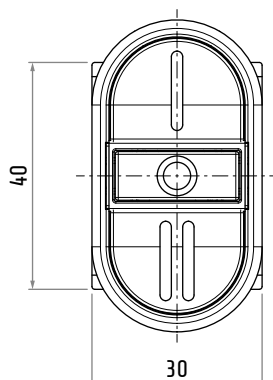
# PPMN

## PEGASUS SERIES MOMENTARY MULTIFUNCTION TRIPLE PUSH BUTTON WITH FLUSH / EXTENDED SOLID CAP

Series	Pegasus
Type	multifunction triple push button
Operation	momentary
Cap	flush / extended solid
Fixing	Ø22
Panel thickness	1 ... 6 mm
Drilling template compliance	IEC/EN60947-5-1 CENELEC EN50007
Mechanical life	3×10 <sup>6</sup> operations
IP rating	IP40 *
Material	thermoplastic
Marking	CE, IMQ, RINA, UKCA

\* IP66 with protection cap PCM

Code	Colour
PPMN	green - red - green



Dimensions in mm / Illustrations NOT in scale