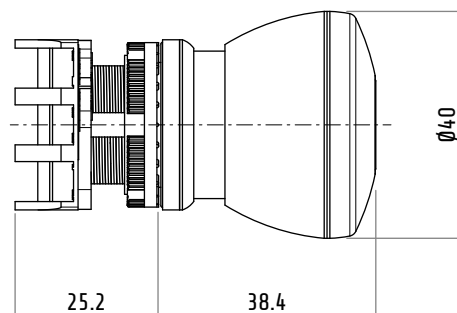
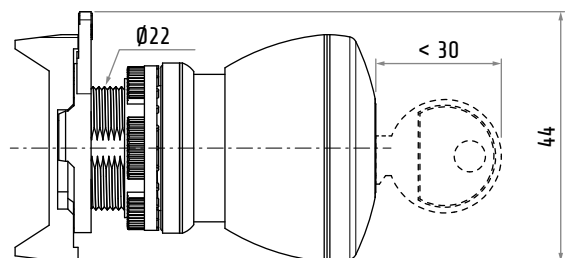
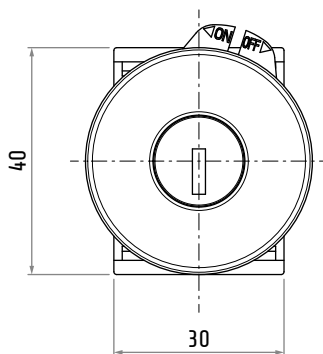


PPFN1C4NX4X

PPFN1C4NX4X

NEMA SERIES KEY RELEASE MUSHROOM PUSH BUTTON WITH Ø40 CAP

Series	NEMA
Type	mushroom push button
Operation	key
Cap	Ø40
Fixing	Ø22
Panel thickness	1 ... 6 mm
Drilling template compliance	IEC/EN60947-5-1 CENELEC EN50007
Mechanical life	0.3×10 ⁶ operations
NEMA rating	4-4X
Material	thermoplastic
Marking	CE, UL, UKCA
Code	Version
PPFN1C4NX4X	solid



Dimensions in mm / Illustrations NOT in scale