



PPDLSGL4X

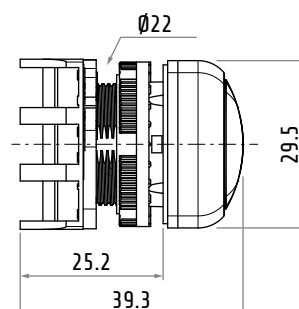
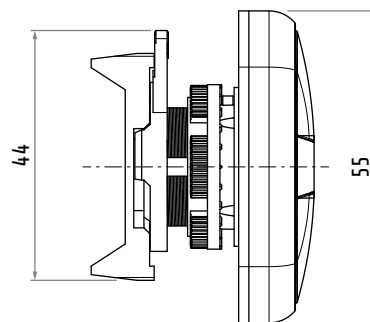
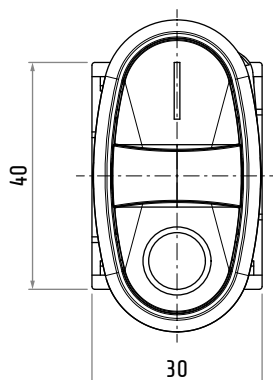
PPDLSGL4X

NEMA SERIES MOMENTARY MULTIFUNCTION DUAL PUSH BUTTON WITH EXTENDED SOLID CAP WITH LIGHT

Available on request:

- special symbols and wordings
- horizontal reading / mounting

Series	NEMA
Type	multifunction dual push button
Operation	momentary
Cap	extended solid with light
Fixing	Ø22
Panel thickness	1 ... 6 mm
Drilling template compliance	IEC/EN60947-5-1 CENELEC EN50007
Mechanical life	3×10 ⁶ operations
NEMA rating	4-4X
Material	thermoplastic
Marking	CE, UL, UKCA
Code	Colour
PPDLSGL4X	green - red



Dimensions in mm / Illustrations NOT in scale