

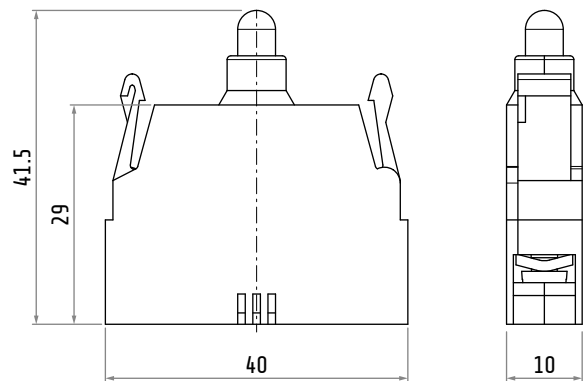


PL0045L...

PL0045L...

**CONTACT BLOCK WITH SCREW
CONTACTS AND BUILT-IN LED**

Contact				
Connections	terminal type			M3.5 screw
	tightening torque	EN60947-1 UL508	1.2 N·m 12 lb·in (1.4 N·m)	
Connectable section	flexible conductors	1 or 2	1 ... 2.5 mm ²	
	solid conductors	1 or 2	1 ... 2.5 mm ²	
	wire peeling length	8 mm		
Power supply	PL0045L12	AC/DC 12 V		
	PL0045L24	AC/DC 24 V		
	PL0045L48	AC/DC 48 V		
	PL0045L110	AC/DC 110 V		
	PL0045L220	AC 220 V		
Marking	CE, IMQ, RINA, CCC, EAC, UL, UKCA			



Dimensions in mm / illustrations NOT in scale