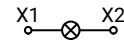


PCW5L...

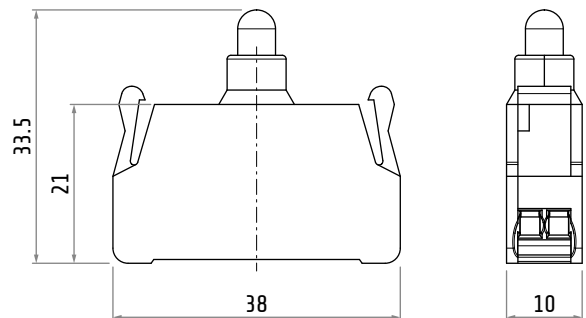
PCW5L...

**CONTACT BLOCK WITH SPRING
CONTACTS AND BUILT-IN LED**

Contact



Connections	terminal type		spring
Connectable section	flexible conductors	1 or 2	0.5 ... 2.5 mm ² 18 ... 12 AWG
	solid conductors	1 or 2	0.5 ... 2.5 mm ² 18 ... 12 AWG
	wire peeling length		8 mm
Power supply	PCW5L12		AC/DC 12 V
	PCW5L24		AC/DC 24 V
	PCW5L48		AC/DC 48 V
	PCW5L110		AC/DC 110 V
	PCW5L220		AC 220 V
Marking			CE, IMQ, RINA, CCC, UL, UKCA



Dimensions in mm / illustrations NOT in scale