

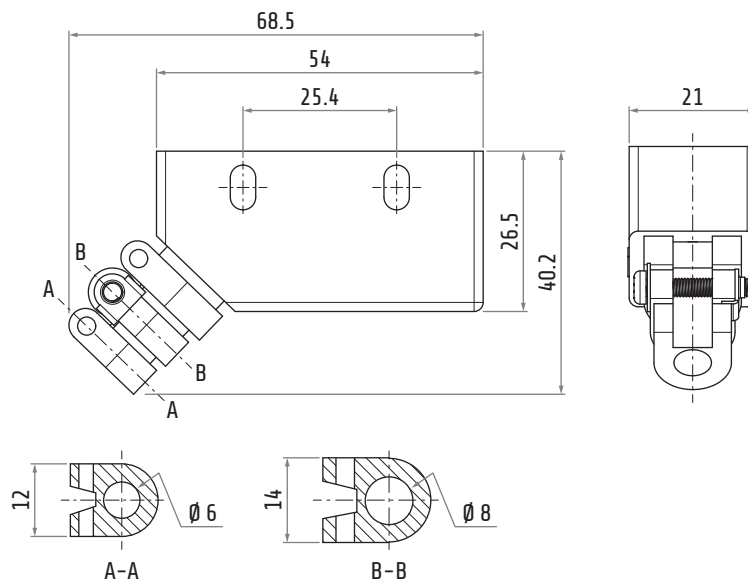
MZA8000

TERMINAL ENCLOSURE

Suitable for microswitches series: MZS13...
MZS17...
MZW13...
MZW17...

Material: NBR

IP rating after installation: IP40



Dimensions in mm / Illustrations NOT in scale