



The product is installed in these energy transmission lines:

MP04P

Please find the relevant reference guides on our instruction manuals page:

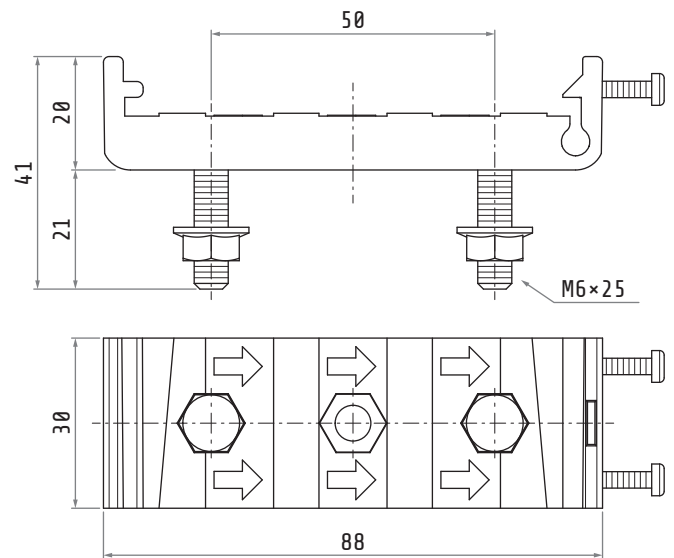
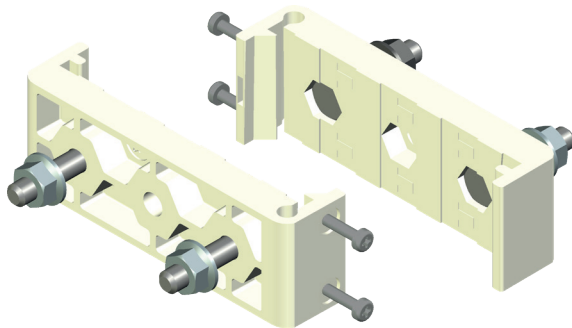
<https://www.giovenzana.com/leaflets/>

INSTRUCTION
MANUALS



MP04P014

FIXED POINT



Material	body hardware	thermoplastic galvanized steel
Weight		45 g

Dimensions in mm / illustrations NOT in scale