



The product is installed in these energy transmission lines:

MP04P

Please find the relevant reference guides on our instruction manuals page:

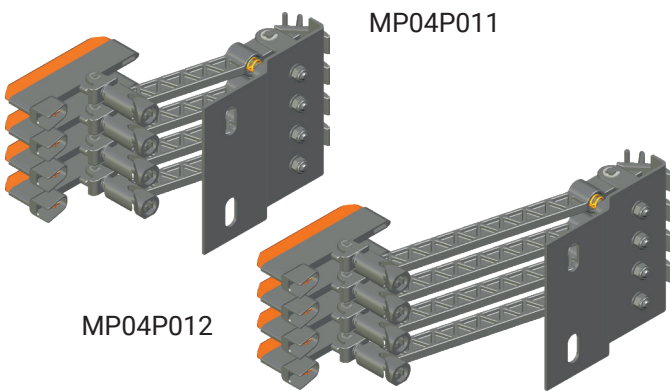
<https://www.giovenzana.com/leaflets/>

INSTRUCTION
MANUALS



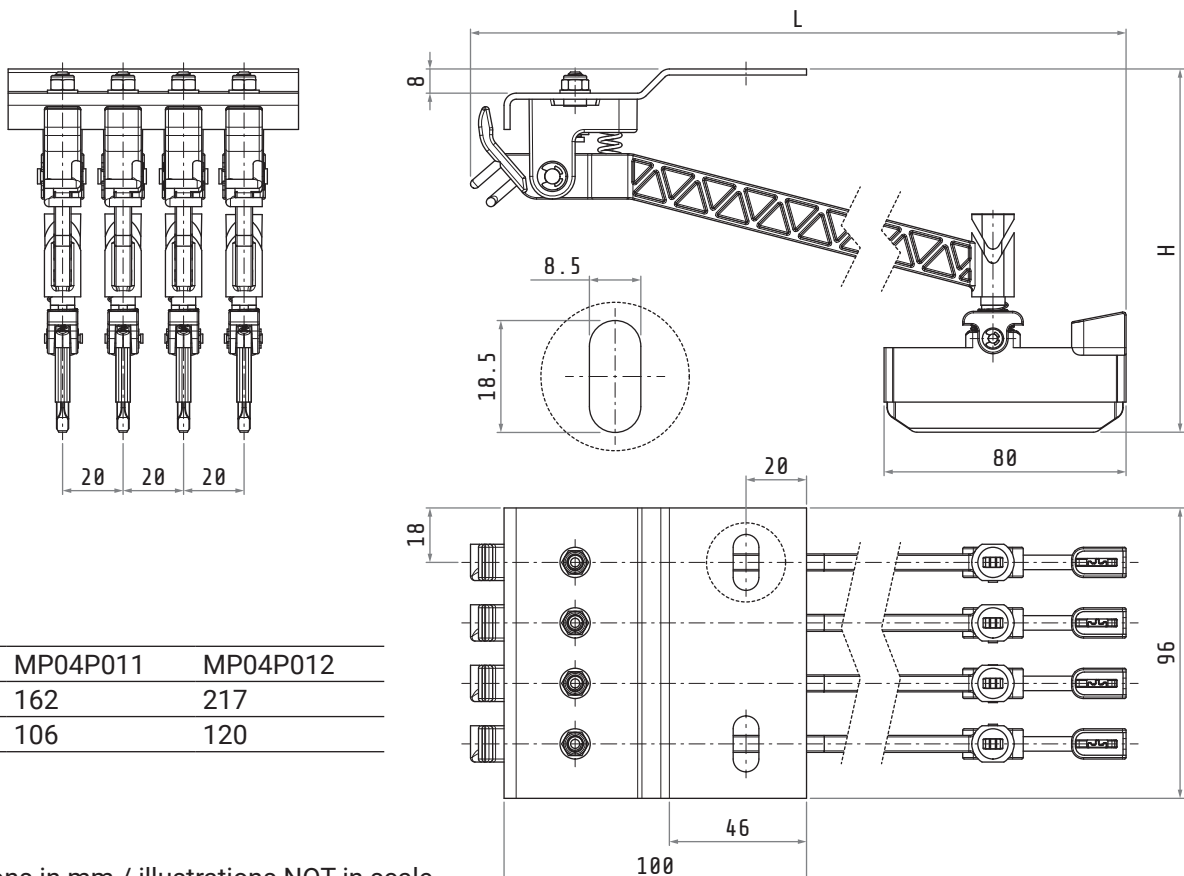
MP04P011

MP04P012



TROLLEY CURRENT COLLECTOR

	MP04P011	MP04P012
Material	body	thermoplastic
	hardware	galvanized steel
	brushes	copper, lead and carbon
Operating current	50 A	50 A
Form factor	compact	long
Maximum deflection	±15 mm	±30 mm
Weight	730 g	745 g



	MP04P011	MP04P012
L	162	217
H	106	120

Dimensions in mm / illustrations NOT in scale