



The product is installed in these energy transmission lines:

MP04P

Please find the relevant reference guides on our instruction manuals page:

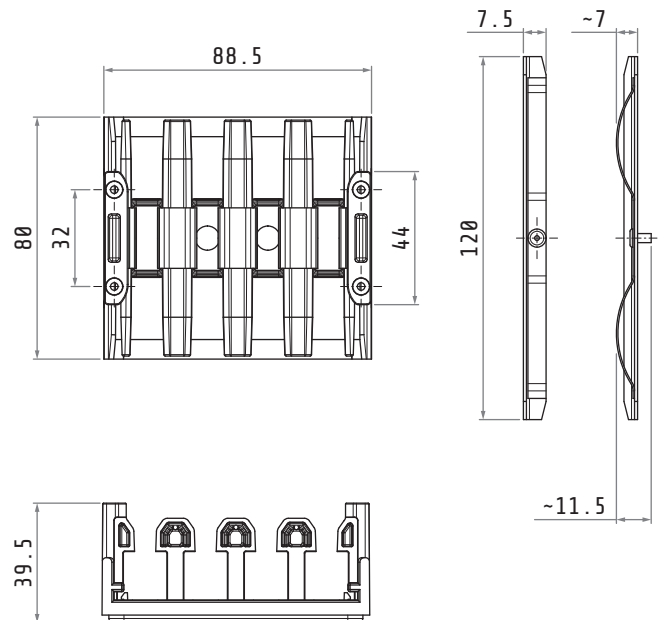
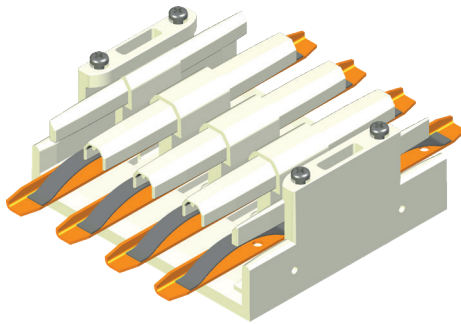
<https://www.giovenzana.com/leaflets/>

INSTRUCTION
MANUALS



MP04P001

JOINT UNIT



Material	body hardware conductor	thermoplastic galvanized steel copper
Weight		140 g

Dimensions in mm / illustrations NOT in scale