

MFI.T

Series

MFI microswitches

Actuator

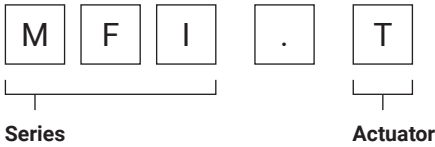
T tower actuator with threaded flange

Terminal type and other features

6.3 × 0.8 mm faston

MFI.T

**MICROSWITCHES WITH 6.3 × 0.8 mm
FASTON TERMINALS AND TOWER
ACTUATOR WITH THREADED FLANGE**



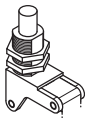
Microswitch

Contacts: 1 NC + 1 NO (snap action)

Compliance: IEC/EN61058, UL1054

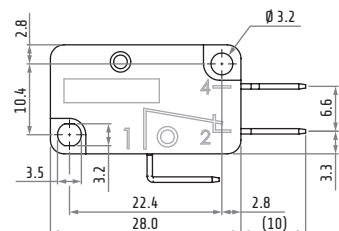
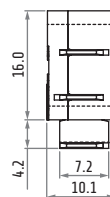
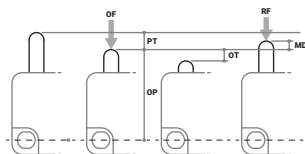
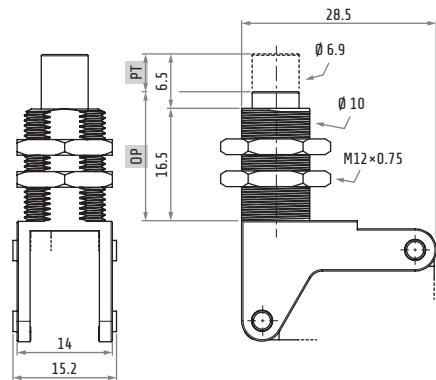
Marking: CE, UL, CCC, UKCA

Operating temperature		-25 ... +85°C -13 ... +185°F
Minimum life expectancy	mechanical	1 × 10 ⁶ cycles
	electrical	5 × 10 ⁵ cycles
Rated thermal current		Ith 8 A
Rated insulation voltage		Ui 250 V
Rated impulse withstand voltage		Uimp 1500 V
Rated operating current	resistive load	ie 8 A - 250 V
	inductive load	3 A - 250 V
Pollution degree		2
Protection against electric shock		class II



MFI.T

OF	max	6.0	N	Operating force
RF	min	2.0	N	Release force
PT	max	2.2	mm	Pretravel
OT	min	3.3	mm	Operating position
MD	max	0.5	mm	Overtravel
OP		21.2 ± 0.8	mm	Differential movement



Dimensions in mm / illustrations NOT in scale