



GMS131

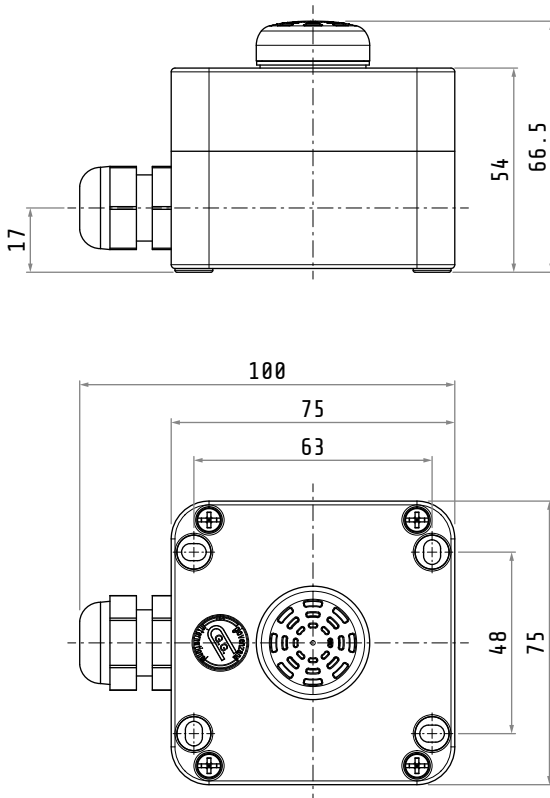
**STATION WITH FLASHING YELLOW LED
AND PULSED BUZZER**

Specifications

Material / color	cover: PC V0 transparent base: ABS V0 black RAL9005
Protection class	IP65
Operating temperature	-25°C ... +70°C
Max current	100 mA
Max power	2.4 W
Standards	EN81-20 / EN81-50
Cable gland	M16
Knockout	M20
Light diffusion angle	120°

Electronic PCB	
LED color	flashing yellow
Frequency	1.5 Hz
Rated voltage	12/24 VDC

Buzzer	
Sound pressure	80 dBA
Material	ABS V0
Protection class	IP69K
Rated voltage	24 VDC
Standards	EN60529



Dimensions in mm / illustrations NOT in scale