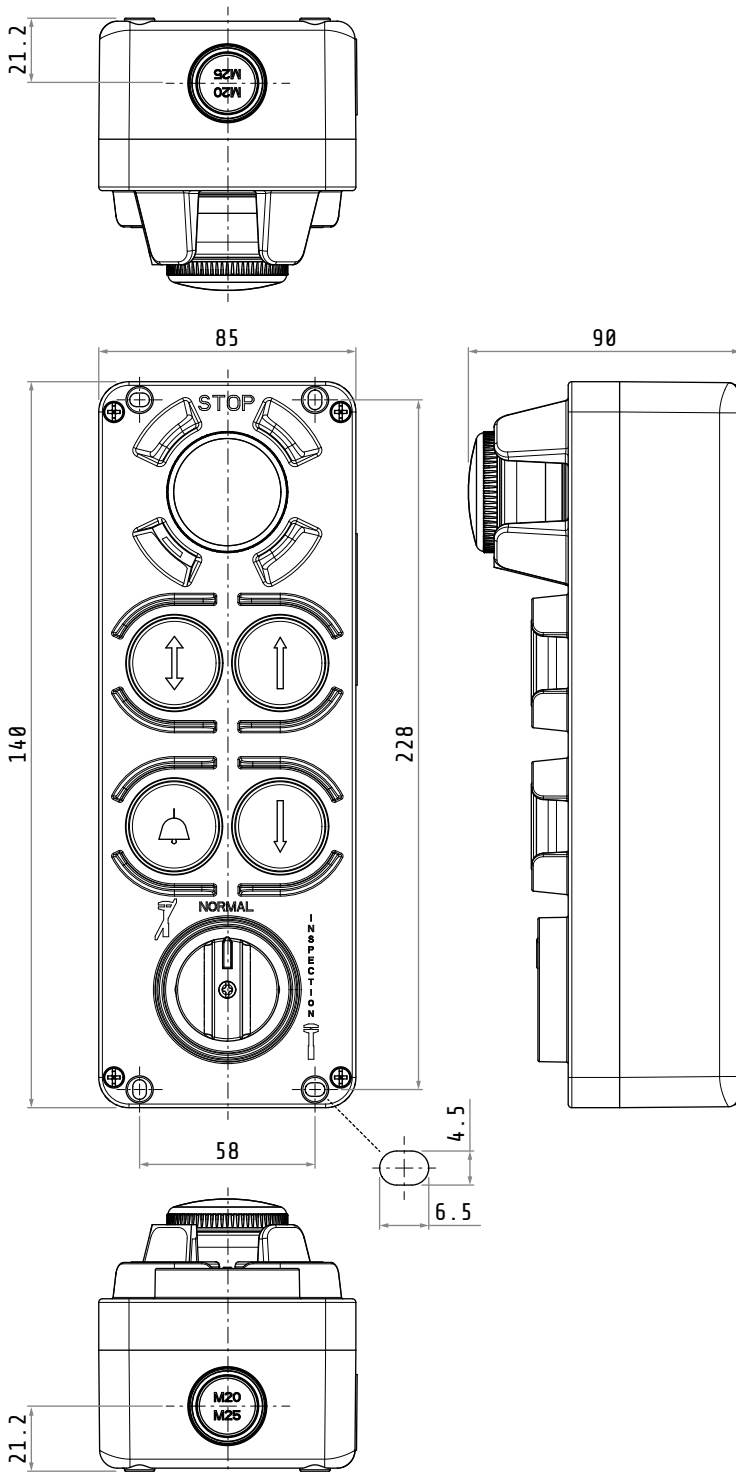


GM261

MAINTENANCE BOX

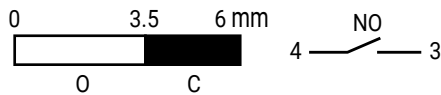
Specifications

Enclosure	
cover	ABS V0 yellow PANTONE 102C
base	ABS V0 black RAL 9005
Protection class	IP65 (IEC/EN 60529)
Wiring	2 × M20/M25 knockout



Dimensions in mm / illustrations NOT in scale

Spring clamp terminal (NO)

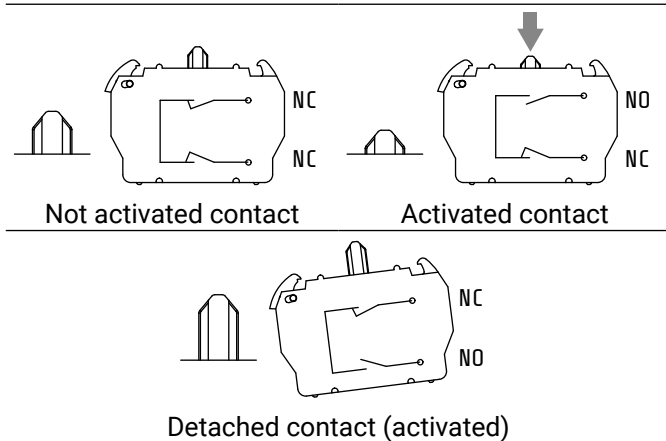


IEC / EN 60947-5-1 characteristics (IMQ values)

Rated operating voltage [Ue]	690 V
Rated insulation voltage [Ui]	690 V
Rated impulse withstand voltage [Uimp]	4 kV
Rated thermal current [Ith]	16 A
Rated thermal current in enclosure [Ithe]	16 A
Frequency	50/60 Hz

NO-NC-NO self monitored contact

Rated insulation voltage [Ui]	690 V
Frequency	50-60 Hz
Direct current AC15	4 A - 400 V
Alternate current DC13	0.25 A - 220 V
Minimum constant current	1 mA @ 5 V dc 1 mA @ 24 V dc



Cam switch

Rated operating voltage [Ue]	690 V
Rated insulation voltage [Ui]	690 V
Rated impulse withstand voltage [Uimp]	4 kV
Rated thermal current [Ith]	20 A
Rated thermal current in enclosure [Ithe]	16 A
Frequency	50/60 Hz

2	7-8	X	
	5-6	X	
1	3-4		X
	1-2		X
cell	contacts	0	1
		positions	

X - Closed contact