

# FGR2-EX

**EXPLOSION PROOF EQUIPMENT**

**ROTARY GEAR LIMIT SWITCH**

## General characteristics

Case	base cover	aluminium antistatic plastic
Ambient temperature		-20 ... +70°C (-4 ... +192°F)
Direct ratio		1:12 - 1:33 - 1:50 - 1:100 - 1:200
Protection class		IP65
Shaft type		stainless steel mounted on ball bearings double overhang shaft version available
Fixing type		base (see options)
Microswitches		up to 6
Cam block		self-lubricating with transparent support for easier cam viewing
Cable entry		2 × M16
Options		3 cam shape options 20 pinion options front fixing (with optional flange)

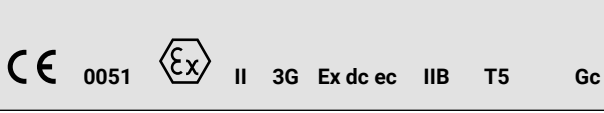
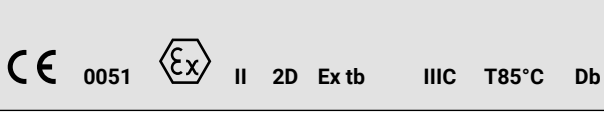
## Marking



## Microswitch technical data

Minimum life expectancy	mechanical	1 × 10 <sup>6</sup> cycles	
	electrical	5 × 10 <sup>5</sup> cycles	
Rated thermal current	I <sub>th</sub>	8 A	
Rated insulation voltage	U <sub>i</sub>	250 V	
Rated impulse withstand voltage	U <sub>imp</sub>	1500 V	
Rated operating current	ie	resistive load	8 A - 250 V
		inductive load	1 A - 250 V (cosφ = 0.6)
Pollution degree		2	
Protection against electric shock		class II	

# EQUIPMENT CLASSIFICATION IN ACCORDANCE WITH UTILIZATION ZONES

<b>ATEX</b>	2014/34/EU European Directive		All the models of the series are verified to be in compliance with the follows: Apparatus Category 3 G, suitable for installation hazardous areas: Zone 2 ( <b>gas</b> ) according to EN/IEC 60079-10-1.										
			All the models of the series are verified to be in compliance with the follows: Apparatus Category 2 D, suitable for installation hazardous areas: Zone 21 and 22 ( <b>dust</b> ) according to EN/IEC 60079-10-2.										
<b>IECEX</b>	EN IEC 60079-0 EN IEC 60079-1 EN IEC 60079-7 EN IEC 60079-31	<table border="1"> <tr> <td><b>Ex dc ec</b></td> <td><b>IIB</b></td> <td><b>T5</b></td> <td><b>Gc</b></td> <td><b>Gas</b></td> </tr> <tr> <td><b>Ex tb</b></td> <td><b>IIIC</b></td> <td><b>T85°C</b></td> <td><b>Db</b></td> <td><b>Dust</b></td> </tr> </table>	<b>Ex dc ec</b>	<b>IIB</b>	<b>T5</b>	<b>Gc</b>	<b>Gas</b>	<b>Ex tb</b>	<b>IIIC</b>	<b>T85°C</b>	<b>Db</b>	<b>Dust</b>	
<b>Ex dc ec</b>	<b>IIB</b>	<b>T5</b>	<b>Gc</b>	<b>Gas</b>									
<b>Ex tb</b>	<b>IIIC</b>	<b>T85°C</b>	<b>Db</b>	<b>Dust</b>									
<b>EAC Ex</b>	TR TS 012/2011 GOST 31610.0 GOST IEC 60079-1 GOST R MEK 60079-7 GOST R MEK 60079-31		TP TC 012/2011 ГОСТ 31610.0 ГОСТ IEC 60079-1 ГОСТ Р МЭК 60079-7 ГОСТ Р МЭК 60079-31										
	See IECEX scheme reference												
<b>INMETRO</b>	Certificate issued in according to Brazilian requirements attached to INMETRO's Rule n°. 179 issued on May 18th, 2010 n°. 270 issued on May 21th, 2011 n°. 89 issued on May 23th, 2012		Certificado emitido conforme requisitos da avaliação da conformidade de equipamentos elétricos para atmosferas explosivas, anexo às Portarias Inmetro n°. 179 de 18 de maio de 2010 n°. 270 de 21 de junho de 2011 n°. 89 de 23 de fevereiro de 2012										
	See IECEX scheme reference												

## CODE READING

F	G	R	2
---	---	---	---

### Series

**FGR2** rotary gear limit switch

--	--	--

### Ratio

**006** 1:12  
**007** 1:33  
**008** 1:50  
**009** 1:100  
**010** 1:200

	E	X
--	---	---

### Number of micro switches

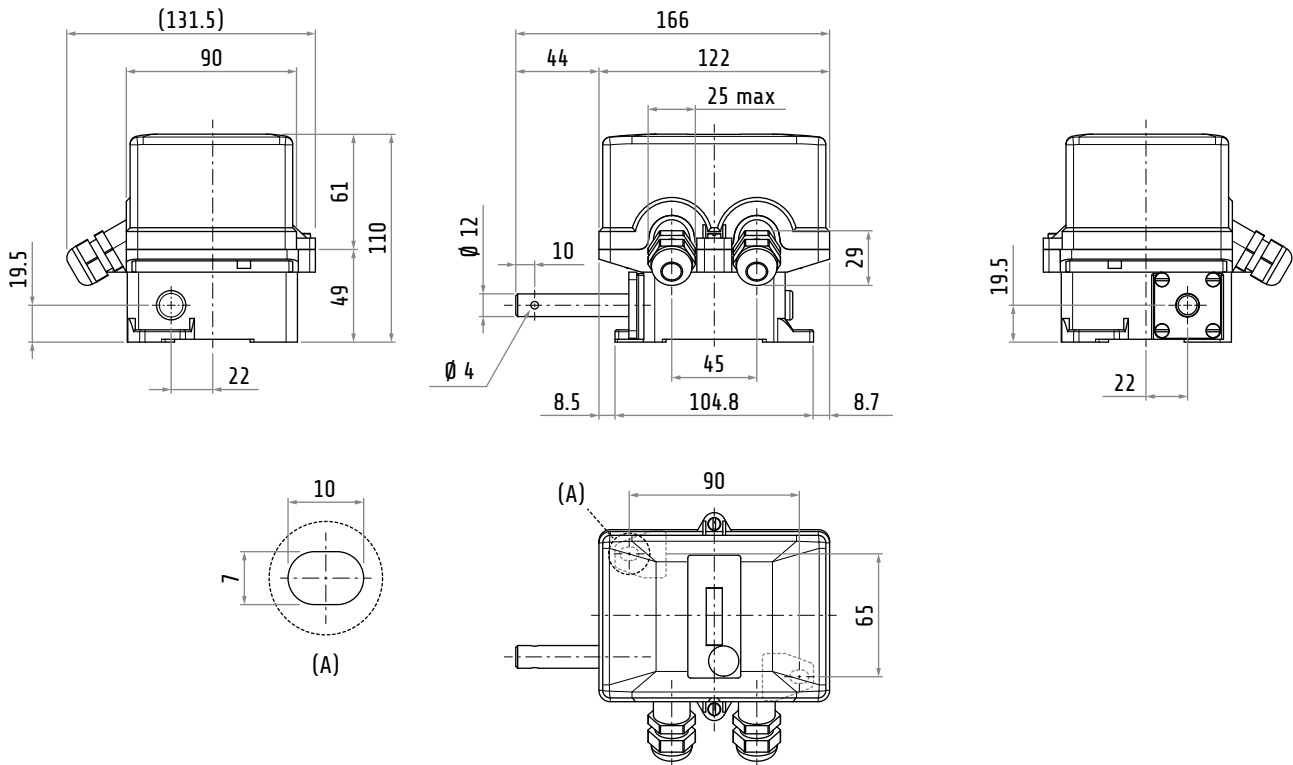
blank 4 micro switches  
**6** 6 micro switches

### Other features

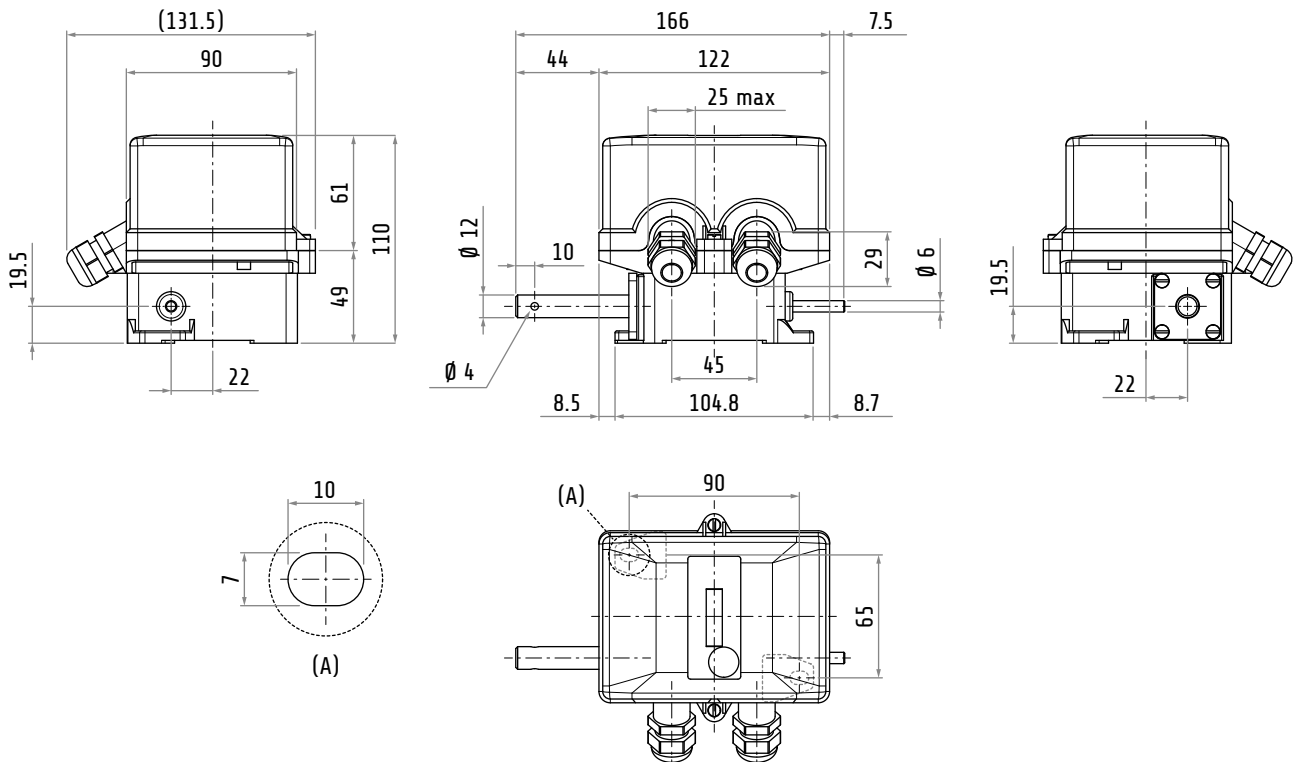
**EX** ATEX compliant

# DIMENSIONS

## Base fixing



## Rear shaft



## Front fixing with optional flange

