

FGR0

ROTARY GEAR LIMIT SWITCH

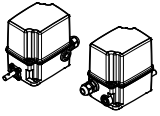
General technical data

Case	self-extinguishing thermoplastic material
Ratio	1:12 - 1:25 - 1:33 - 1:50 - 1:75 - 1:100 - 1:150 - 1:200 - 1:400
Direct ratio	1:25 - 1:50
Protection class	IP67
Shaft type	- stainless steel mounted on self-lubricating bush protected by sealing rings on both sides - double overhang shaft version available
Fixing type	base front (flanged version)
Microswitches	up to 4
Cam block	self-lubricating with transparent support for easier cam viewing
Cable entry	M16 + M16 knockout
Temperature	operating: -25 ... +70°C storage: -30 ... +70°C
Options	5 cam shape options
Marking	CE, CCC, EAC, UKCA

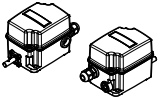
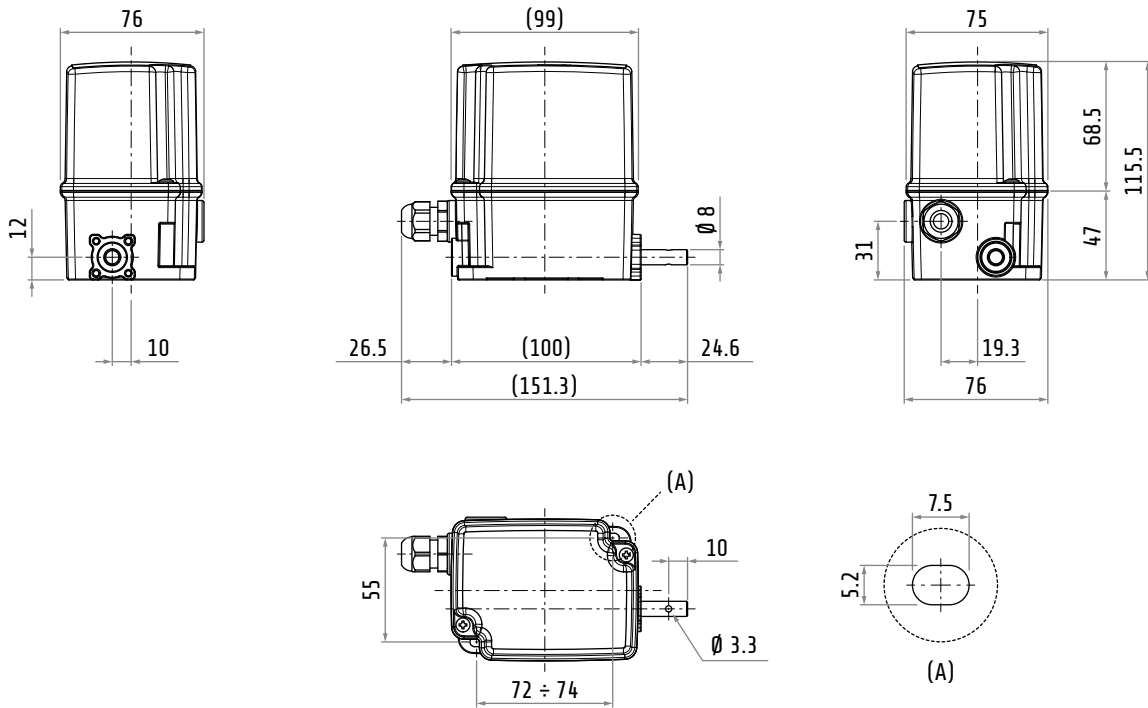
Microswitch technical data

Operating temperature		-25 ... +85°C
Minimum life expectancy	mechanical electrical	one million of cycles half million of cycles
Rated thermal current	I _{th}	8 A
Rated insulation voltage	U _i	250 V
Rated impulse withstand voltage	U _{imp}	1500 V
Rated operating current	I _e	resistive load inductive load
		8 A - 250 V 3 A - 250 V
Pollution degree		2
Protection against electric shock		class II

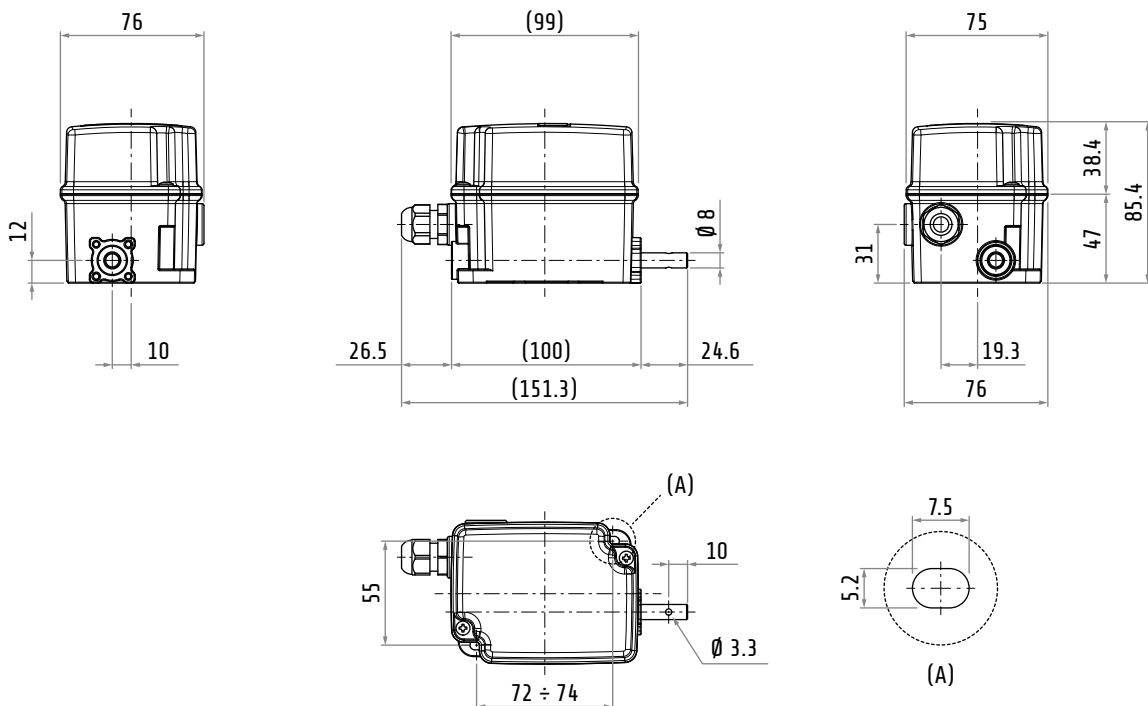
Dimensions

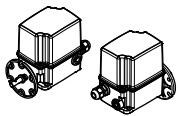


Base fixing - 4 microswitches

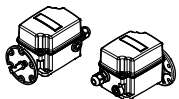
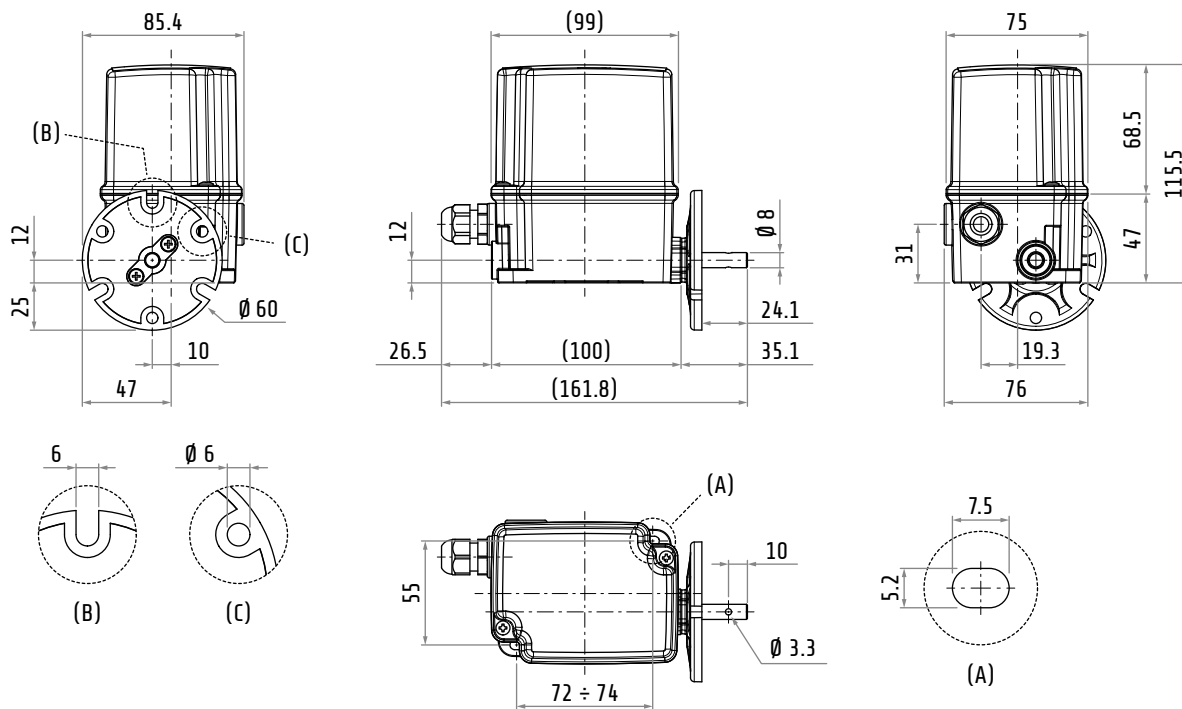


Base fixing - 2 microswitches

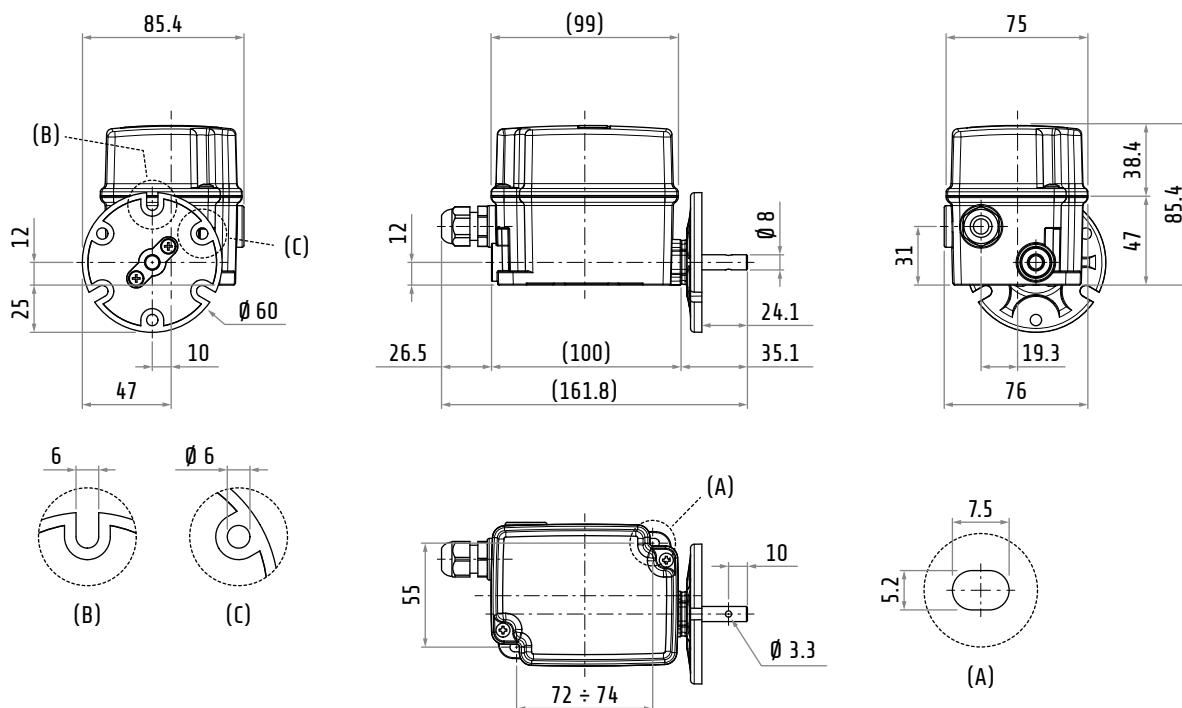


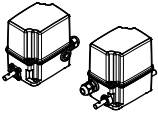


Flanged fixing - 4 microswitches

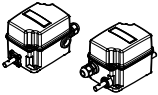
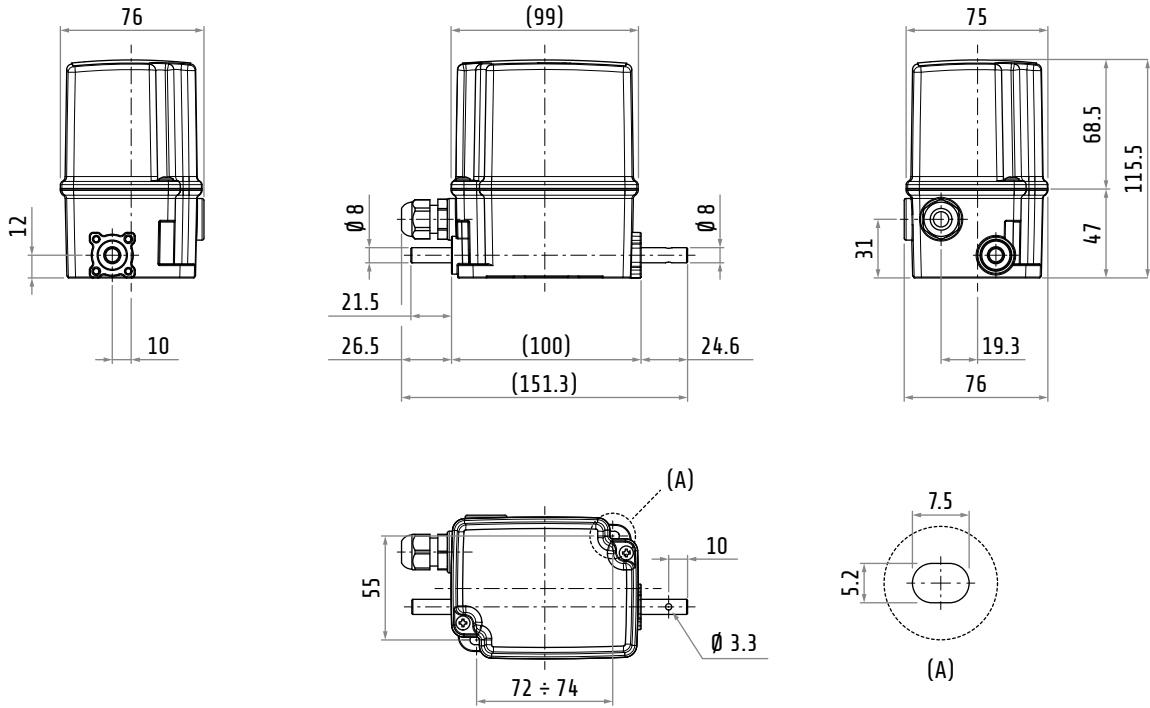


Flanged fixing - 2 microswitches





Coaxial shaft - 4 microswitches



Coaxial shaft - 2 microswitches

