



The product is installed in these energy transmission lines:

Festoon System Line 30

Please find the relevant reference guides on our instruction manuals page:

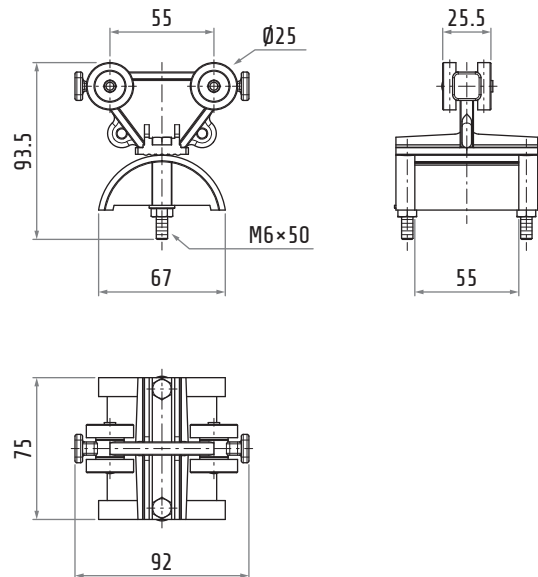
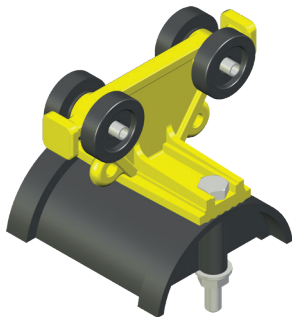
<https://www.giovenzana.com/leaflets/>

INSTRUCTION  
MANUALS



# 30607011

## TROLLEY FOR FLAT CABLE



|           |          |                       |
|-----------|----------|-----------------------|
| Material  | body     | nylon                 |
|           | hardware | galvanized steel      |
|           | rollers  | covered ball bearings |
| Weight    | ~115 g   |                       |
| Saddle    | 55 mm    |                       |
| Excursion | 10 mm    |                       |

Dimensions in mm / illustrations NOT in scale