



The product is installed in these energy transmission lines:

Festoon System Line 41

Please find the relevant reference guides on our instruction manuals page:

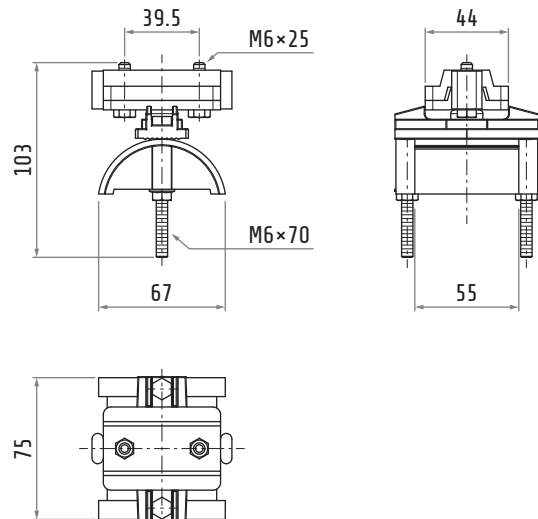
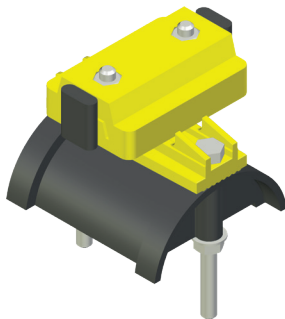
<https://www.giovenzana.com/leaflets/>

INSTRUCTION
MANUALS



30602071

HEAD CLAMP



Material	body	nylon
	hardware	galvanized steel
Weight	~170 g	
Saddle	55 mm	
Excursion	30 mm	

Dimensions in mm / illustrations NOT in scale