



The product is installed in these energy transmission lines:

Festoon System Line 41

Please find the relevant reference guides on our instruction manuals page:

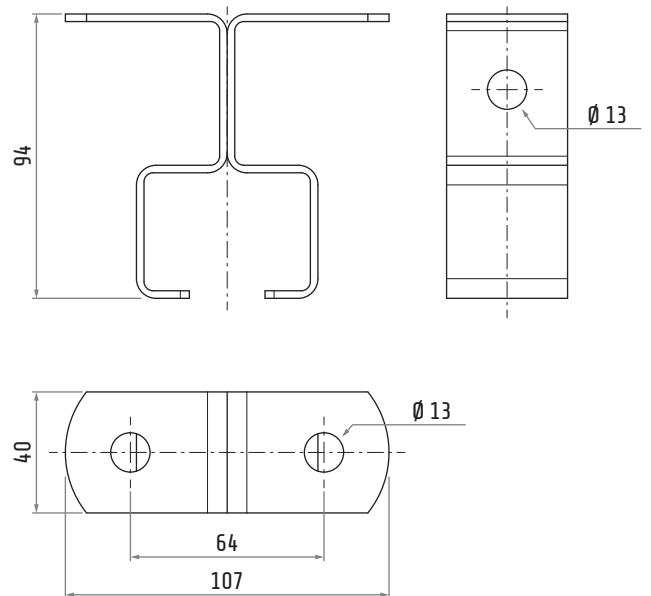
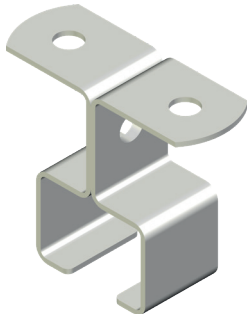
<https://www.giovenzana.com/leaflets/>

INSTRUCTION
MANUALS



30602004

CEILING FIXING BRACKET



Material	galvanized steel
Weight	~260 g

Dimensions in mm / illustrations NOT in scale