



# 20401398

## KIT SOCKET (UK - TYPE G)

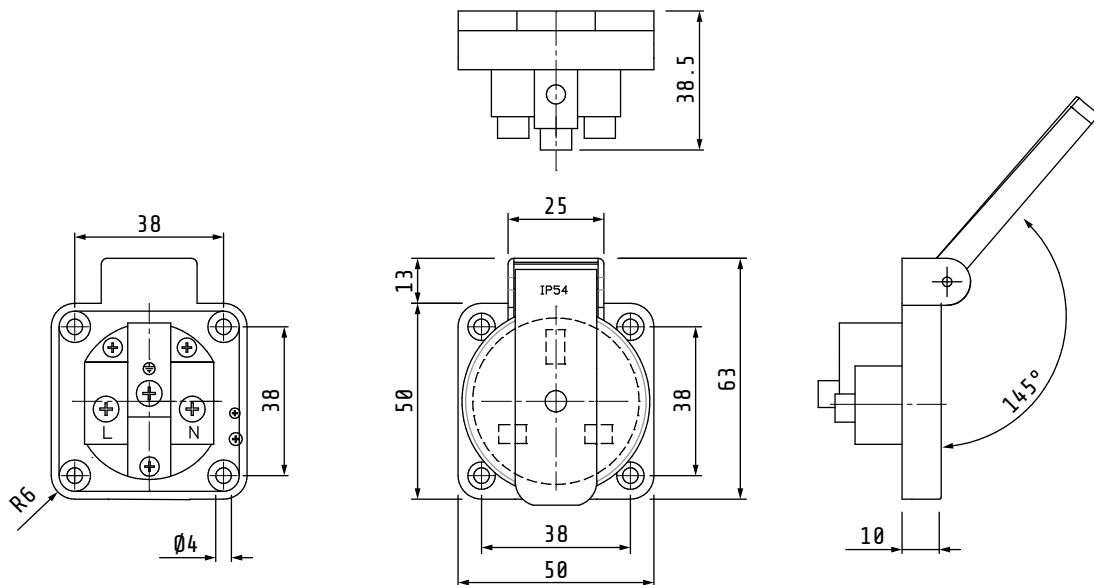
### Technical data



Protection class	IP54
Electrical characteristics	250 V / 16 A
Standards	IEC 309
Certifications	CE

The kit includes:

- N. 1 socket
- N. 4 screws TS+ 3.5 × 16



Dimensions in mm  
Illustrations NOT in scale