



20401372

KIT SOCKET (FRANCE CEE - TYPE E)

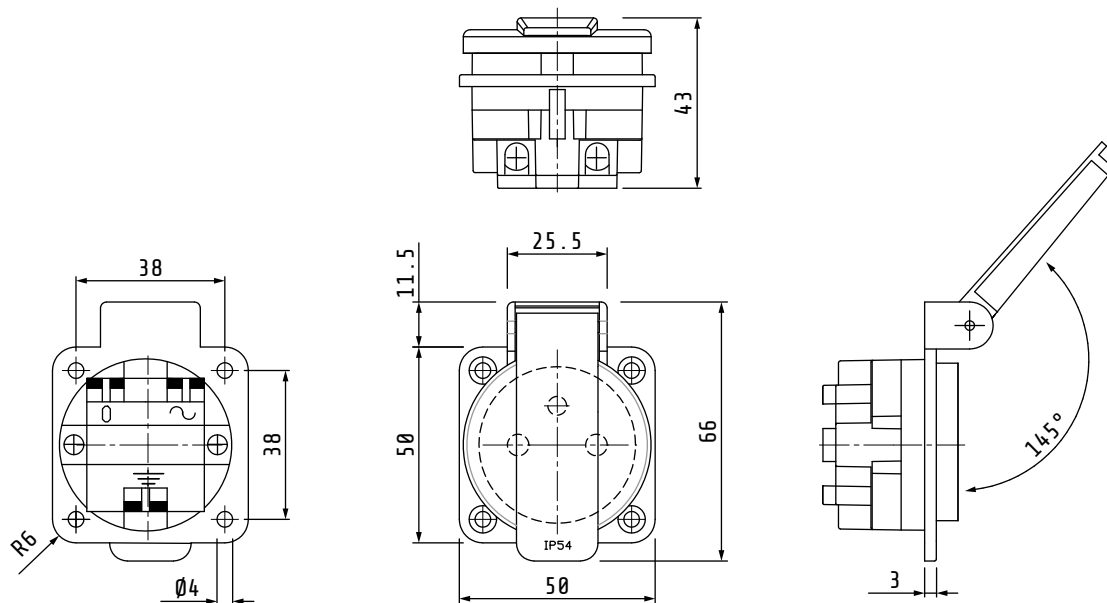
Technical data



| | |
|----------------------------|--------------|
| Protection class | IP54 |
| Electrical characteristics | 250 V / 16 A |
| Standards | IEC 309 |
| Certifications | CE |

The kit includes:

- N. 1 socket
- N. 4 screws TSP+ 3.9 × 9.5



Dimensions in mm
Illustrations NOT in scale