



20401371

KIT SOCKET (EUROPE SCHUKO - TYPE F)

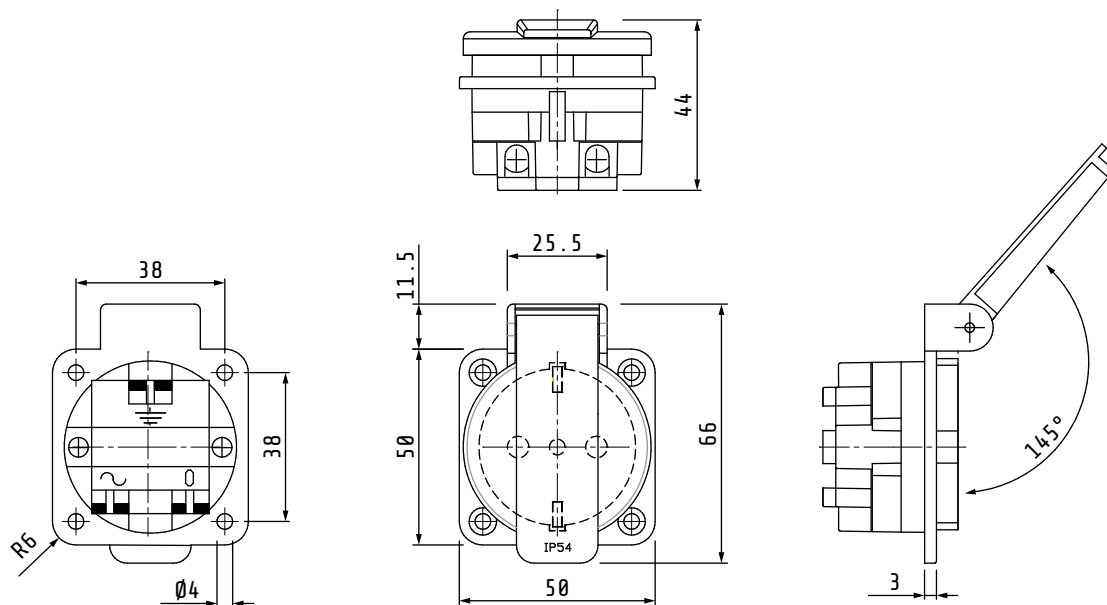
Technical data



Protection class	IP54
Electrical characteristics	250 V / 16 A
Standards	IEC 309
Certifications	CE

The kit includes:

- N. 1 socket
- N. 4 screws TSP+ 3.9 × 9.5



Dimensions in mm
Illustrations NOT in scale